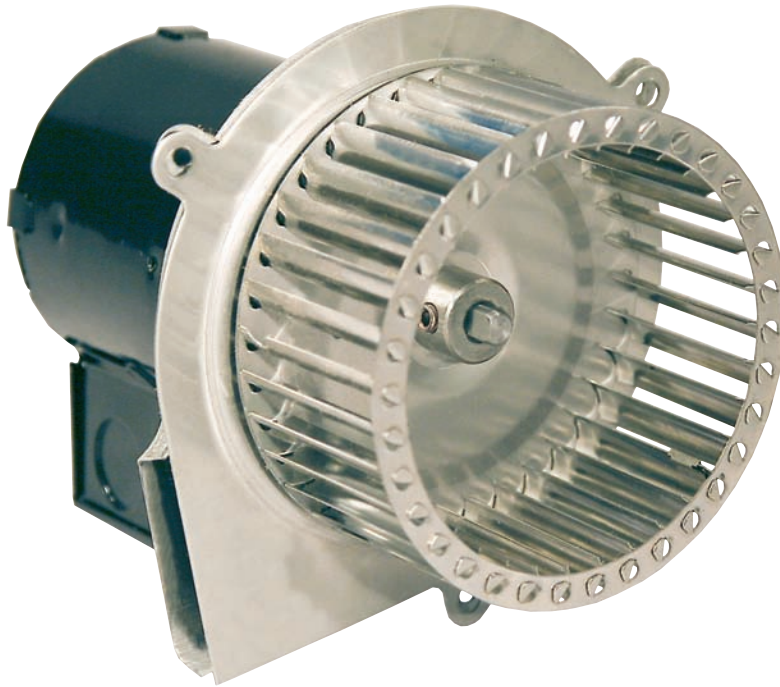


REPAIR MOTOR KIT

Model: SWG-4HD, SWGII-4HD, SWG-5,
SWGII-5, SWG-6, SWGII-6



This kit includes a replacement assembly for the SWG and SWGII series sidewall power venter models listed above.

NOTE: Before working on power venter, shut off electrical power to control box.

ITEMS INCLUDED:

- 1- Replacement Motor and Blower Wheel on Mounting Bracket with Mounting Fasteners
- 1- 1/8" Hex wrench
- 1- Tube of high temperature silicone sealant
- 1- Instruction Sheet

READ THESE INSTRUCTIONS CAREFULLY AND COMPLETELY BEFORE PROCEEDING WITH THE INSTALLATION.

This device **MUST** be installed by a qualified agency in accordance with the manufacturer's installation instructions. The definition of a qualified agency is: any individual, firm, corporation or company which either in person or through a representative is engaged in, and is responsible for, the installation and operation of HVAC appliances, who is experienced in such work, familiar with all the precautions required, and has complied with all the requirements of the authority having jurisdiction.

Please retain these instructions after installation.

Installed By: _____ Phone: _____ Installation Date: _____



FIELD CONTROLS

www.fieldcontrols.com

IDENTIFY WHICH MODEL POWER VENTER YOU HAVE

CAUTION: Avoid applying excess pressure on the blower wheel when handling. This will cause an imbalance of the blower wheel which will result in excessive vibration and premature motor failure.

REMOVAL

1. Remove motor cover. (See Figure 1)
2. Remove the electrical box cover and disconnect the conduit and wires. (See Figure 2) It is not necessary to disconnect the wires from the Control Kit.
3. Remove the nuts securing the motor assembly, and pull the motor assembly straight off of the unit. (See Figure 3)
4. Clean off any build-up inside the blower wheel housing.

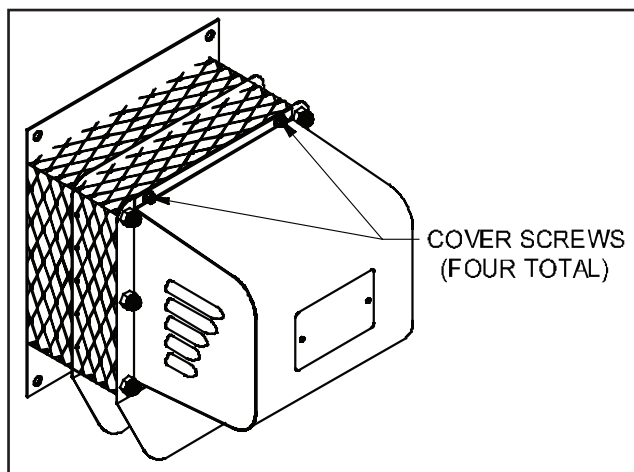


Figure 1

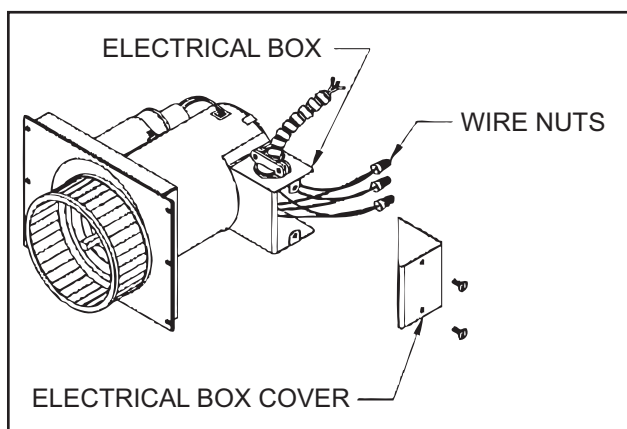


Figure 2

INSTALLATION

1. Align the holes in the circular cover plate with the holes in the motor mount bracket on the motor assembly. (See Figure 3)
2. Slide the motor assembly onto the protruding threaded studs on the power vent body with the exhaust chute pointing downward, and replace the nuts securely to the threaded studs. (See Figure 3)
3. Use the top knockout on the electrical box and reattach the flexible conduit and wires to the motor using the conduit connector and wire nuts. Secure the cover on the electrical box.
4. Seal around the edge of the motor mount bracket with the provided high temperature silicone sealant. Install the motor cover with the side louvers pointing downward. (See Figure 1)

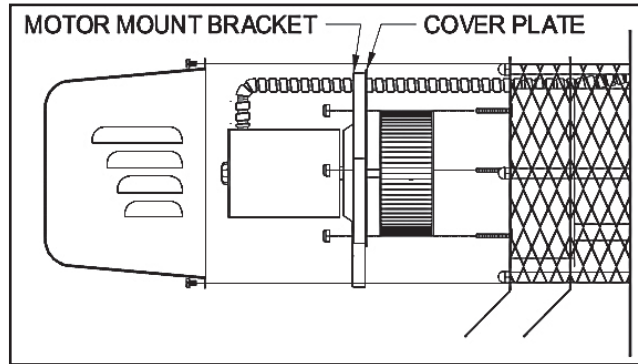


Figure 3

LIMITED WARRANTY

Field Controls, LLC ("Company") warrants that its products shall be free from defects in material and workmanship under normal use for the limited period indicated, **from the date of manufacture, subject to the provisions 1-8 below.**

Eighteen (18) months

All Field Controls Products (except for those listed below as 5 years or 90 days).

Five (5) years

Field Controls Direct Vent Systems (FDVS), Field Oil Vent Kits (FOVP), and ComboVents (CV).

Field Controls warrants that the products listed below shall be free from defects in material and workmanship under normal use for the limited period indicated, **from the date of purchase by the consumer, subject to the provisions 1-8 below.**

Ninety (90) days

UV lamps/bulbs

Provisions:

1. During the limited warranty period, Company, or its authorized service representative, will repair or replace, at Company's option, without charge, a defective Product. Product that is repaired may be repaired with new or refurbished replacement parts. Product that is replaced may be replaced with a new or refurbished product of the same or similar design. Company will return repaired or replacement Product to customer in working condition. Labor charges are not covered as part of the limited warranty.
2. With regard to UV lamps/bulbs, customer shall be required to include a "valid proof of purchase" (sales receipt) identifying the Product purchased (Product model or accurate date code information) and the date the Product(s) was purchased.
3. Product whose warranty/quality stickers, Product serial number plates or electronic serial numbers have been removed, altered or rendered illegible shall not be covered under the limited warranty.
4. Defective Product must be returned to Company, postage prepaid.
5. IN NO EVENT SHALL COMPANY BE LIABLE FOR ANY INDIRECT, SPECIAL, INCIDENTAL, CONSEQUENTIAL, OR SIMILAR DAMAGES (INCLUDING, BUT NOT LIMITED TO, LOST PROFITS OR REVENUE, INABILITY TO USE PRODUCT, OR OTHER ASSOCIATED EQUIPMENT, THE COST OF SUBSTITUTE EQUIPMENT, AND CLAIMS BY THIRD PARTIES) RESULTING FROM THE USE OF PRODUCT. Some states do not allow the exclusion or limitation of incidental or consequential damages, so the above limitation or exclusion may not apply to you.
6. THIS WARRANTY AND REMEDIES ARE EXCLUSIVE AND IN LIEU OF ALL OTHER WARRANTIES, REMEDIES AND CONDITIONS, WHETHER ORAL, WRITTEN, EXPRESS, STATUTORY OR IMPLIED. TO THE EXTENT PERMITTED BY LAW, COMPANY DISCLAIMS ALL IMPLIED AND STATUTORY WARRANTIES, INCLUDING WARRANTIES OF MERCHANTABILITY AND FITNESS FOR A PARTICULAR PURPOSE.
7. Company makes no warranty of any kind in regard to other manufacturer's products distributed by Company. Company will pass on all warranties made by the manufacturer and where possible, will expedite the claim on behalf of the customer, but ultimately, responsibility for disposition of the warranty claim lies with the manufacturer.
8. Product that has been subjected to misuse, accident, shipping or other physical damage, improper installation or application, abnormal operation or handling, neglect, fire, water or other liquid intrusion are not covered by the warranty.



FIELD CONTROLS

Phone: 252.522.3031 • Fax: 252.522.0214

www.fieldcontrols.com