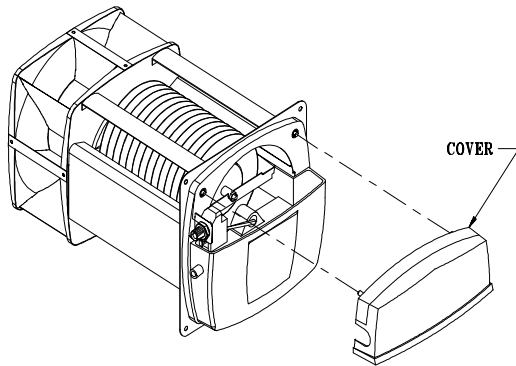
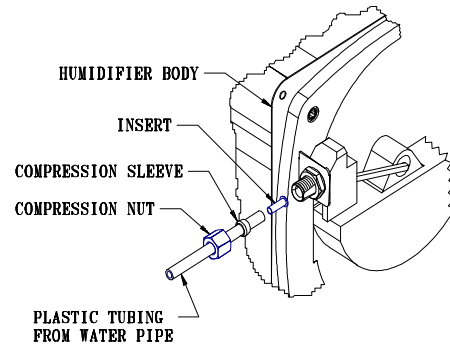


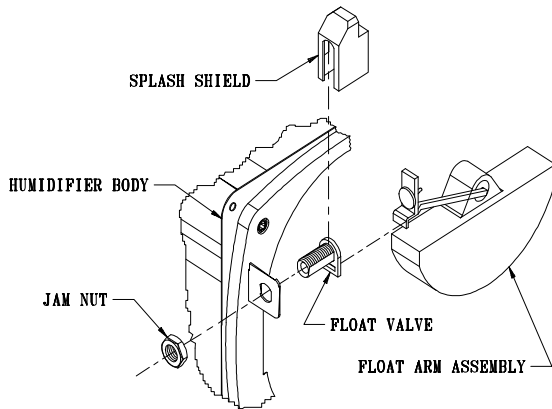
TURBO-MIST EVAPORATOR REPLACEMENT INSTRUCTIONS



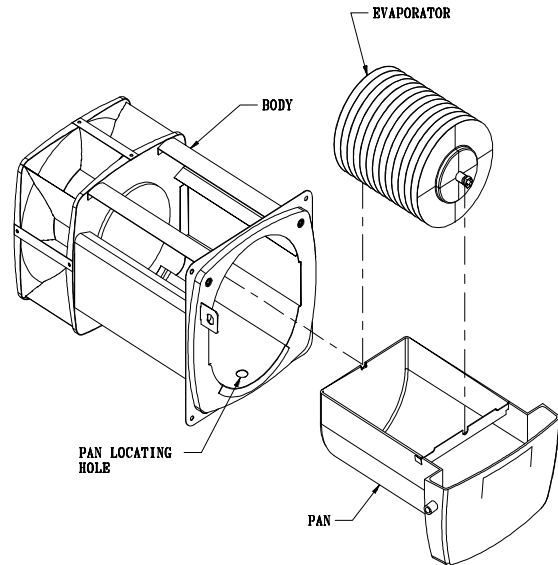
1. REMOVE COVER FROM TURBO-MIST



2. CLOSE SADDLE VALVE COMPLETELY
3. DISCONNECT WATER SUPPLY TUBE FROM FLOAT VALVE



4. REMOVE FLOAT VALVE ASSEMBLY FROM TURBO-MIST



5. GENTLY REMOVE PAN FROM TURBO-MIST BODY
6. REMOVE EVAPORATOR FROM PAN
7. REPLACE WITH NEW EVAPORATOR
8. RE-ASSEMBLE TURBO-MIST FOLLOWING THESE INSTRUCTIONS IN REVERSE

NOTE: MAKE SURE THAT THE EVAPORATOR SHAFT FITS PROPERLY INTO THE TURBINE DRIVE GEAR. SPIN THE TURBINE BY BLOWING INTO IT TO VERIFY THAT THE EVAPORATOR ROTATES WHEN THE TURBINE ROTATES.



THE FIELD CONTROLS COMPANY

2308 AIRPORT ROAD KINSTON, NC 28501 (919) 522-3031

P/N 46261700