



-COMBUSTION AIR SYSTEM

Model: CAS-4mV



ITEMS INCLUDED IN KIT:

- 1) Motorized Blower
- 1) 4" galvanized intake air Vent Hood
- 2) Mounting brackets to secure the CAS to a wall
- 2) Wire/conduit connector(s)
- 1) 4" x 6" Pipe Increaser Fitting
- 1) 6" Orifice Ring
- 1) Instruction Sheet
- 1) High/Low Motor Speed Switch

This product is designed for use with any natural gas or LP burning furnace, water heater, or boiler with a 750mV control system. It may be used with more than one appliance with the addition of a CK-81 Control Kit. The CAS unit mechanically draws air into a structure and disperses it near the combustion air intake of an appliance. If an optional Vacuum Relief Valve (VRV) is used, the incoming air is tempered before entering the structure's airspace. Refer to Diagram A and B for guidance in setting up the CAS system based on the size and length of the connecting duct-work and the input rating of the appliance.

This device **MUST** be installed by a qualified agency in accordance with the manufacturers installation instructions.

The definition of a qualified agency is: *any individual, firm, corporation or company which either in person or through a representative is engaged in, and is responsible for, the installation and operation of gas appliances, who is experienced in such work, familiar with all the precautions required, and has complied with the requirements of the authority having jurisdiction.*

DO NOT DESTROY

THESE INSTRUCTIONS MUST REMAIN WITH EQUIPMENT



FIELD CONTROLS

The Venting Solutions Company™

2630 Airport Road · Kinston, NC 28504

Phone: 252-522-3031 · Fax: 252-522-0214

www.fieldcontrols.com

GENERAL SYSTEM OPERATION

1. The thermostat (wall thermostat, or aquastat) calls for heat and energizes a relay which activates the CAS unit. After the CAS fan has come up to speed, an internal air pressure switch closes and completes the circuit to allow the burner to fire. If the appliance is power vented, the venter and CAS activate simultaneously. After the CAS comes up to speed, a pressure switch in the unit closes and allows the appliance to fire.
2. After the heating requirement has been satisfied, the thermostat circuit will open and deactivate the burner and CAS unit.
3. For power vented systems with a post purge device, the power venter and CAS operate for a period of time after the burner has shut off to purge remaining flue gases from the vent system.

INSTALLATION SAFETY INSTRUCTIONS

CAUTION: *This device must be installed by a qualified installer in accordance with the manufacturer's installation instructions.*

1. This combustion air system must be installed by a qualified installer. "Qualified Installer" shall mean an individual who has been properly trained or a licensed installer.
2. Plan the system layout before installation to avoid the possibility of accidental contact with concealed wiring or plumbing inside walls.
3. Disconnect power supply before making wiring connections to prevent electrical shock and equipment damage.

SIZING AND SETUP

Diagrams A and B and Table 1 shows the maximum equivalent length and size of duct pipe that should be used when installing the CAS system. Using these charts will help ensure that the proper amount of air is drawn into the structure as needed by the appliance. The defined regions shown correspond to the CAS's airflow characteristics when using 4" and 6" diameter sheet metal duct pipe and the included orifice ring. Follow the guidelines below to properly size and setup the CAS.

1. Determine the input firing rate of the appliance, or the total firing rate of multiple appliances that will be used.
2. Position the motorized CAS unit according to the guidelines in the "Installation" section.
3. Determine where the intake air vent hood will be located based on the recommendations in the "Installation" section.
4. The CAS is equipped with a High/Low motor speed control switch. When calculating the maximum equivalent feet, determine which speed is appropriate for the application. (Refer to Diagram A or B or Table 1)
5. Calculate the total equivalent length of duct pipe including elbows and fittings needed to connect the CAS unit to the vent hood. (Refer to Diagram A or B or Table 1)
6. On Diagram A or B, locate the point that corresponds to the firing rate along the horizontal axis and the equivalent length of the duct pipe along the vertical axis, if using for make up air.
7. The point should fall within one of the three regions on the table. Each region corresponds to a duct pipe diameter of 4", 4" using the orifice ring, and 6" respectively. If the point falls near the rightward border of a particular region then the VRV is not necessary. If the point falls away from the rightward border, then a VRV is needed to reduce the amount of air drawn in.

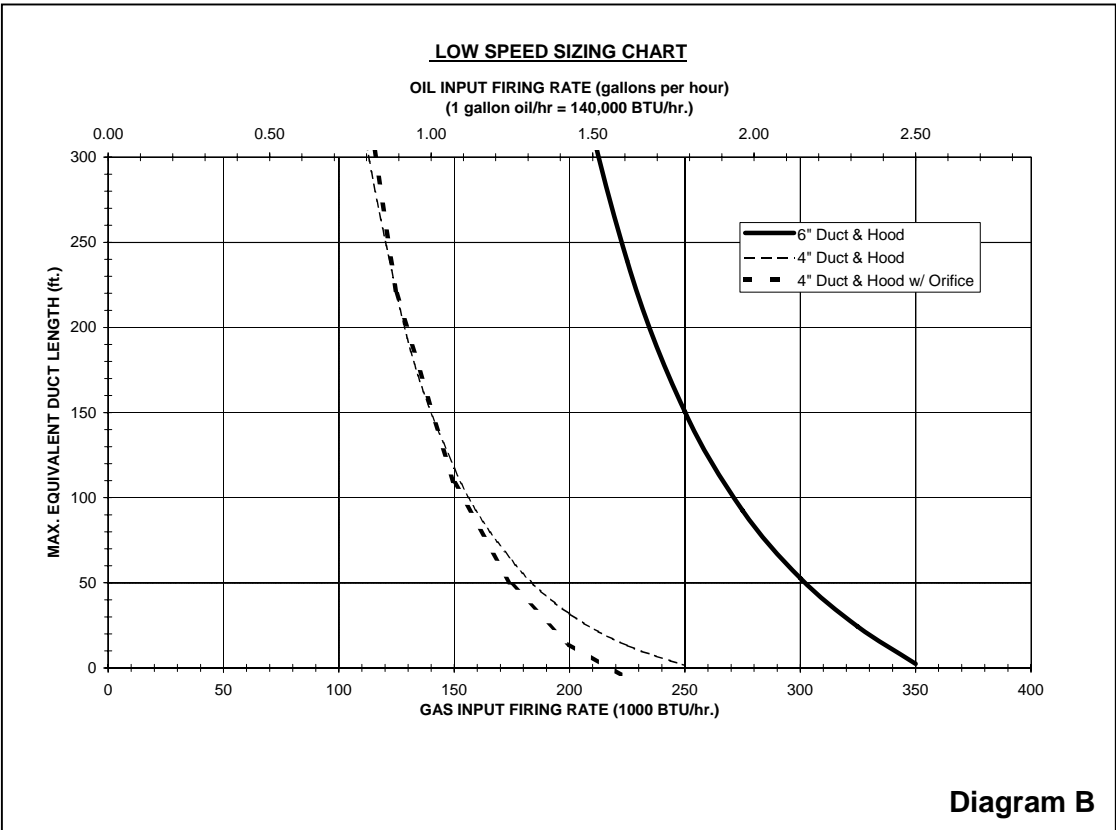
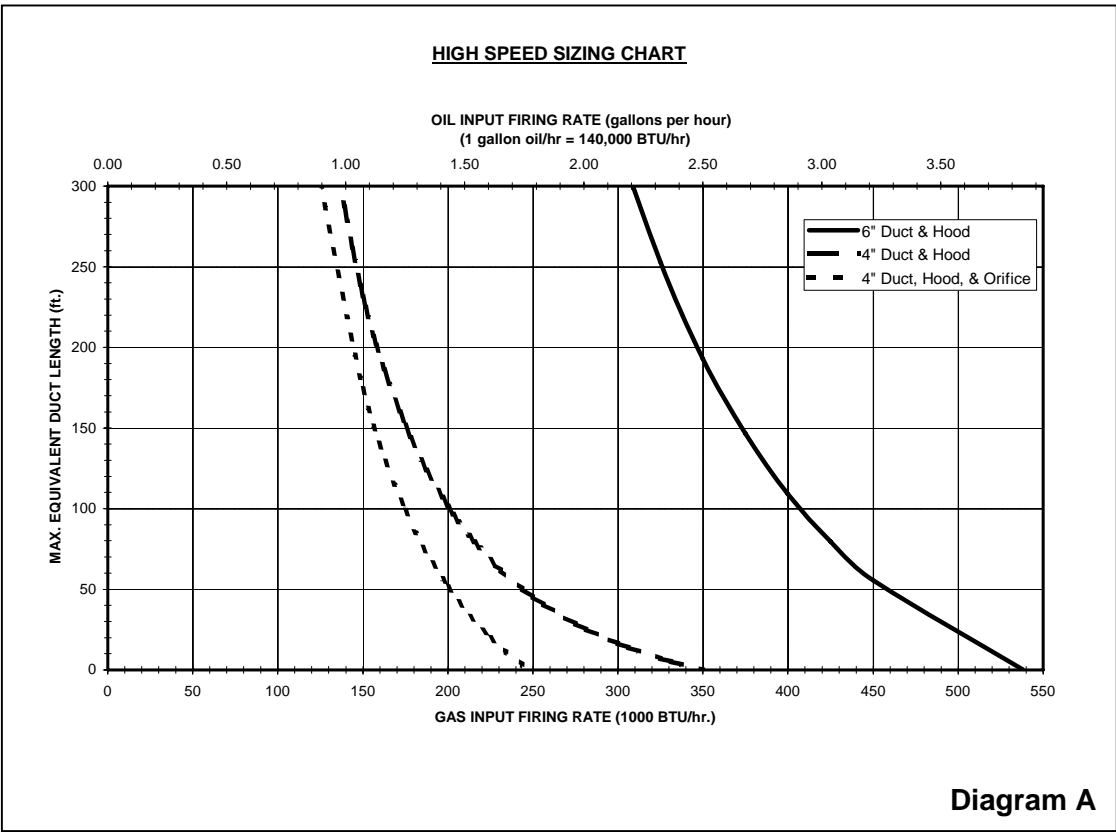
8. Draw a horizontal line on Diagram A or B that passes through the point located in step 5. The position of the point along this line relative to the left and right borders of the region it falls into indicates the relative position that the balance weight of the VRV should be adjusted to. If the point falls near the leftward border of a region, then the VRV balance weight should be adjusted to it's minimum position. This corresponds to turning the balance weight screw as far counter-clockwise as possible.

EXAMPLE: A gas fired appliance firing at 100,000 BTU/hr where the CAS unit needs to be placed 30 equivalent feet from the intake hood.

From Diagram A or B, the point at 100,000 BTU/Hr on the "Gas Firing Rate" scale and 30 equivalent feet falls in the "4 inch Duct, Hood, and Orifice Ring" region. The point is approximately 2/3 of the horizontal distance between the left and right boundary of the region. The left boundary is the edge of the graph, the right boundary is the diagonal line that says "4 inch Duct, Hood & Orifice Ring." Therefore, place the Orifice Ring into the inlet of the CAS so that it sits on the ledge above the fan. It does not matter which way the Orifice Ring is turned as long as it is pushed down against the ledge completely. Use 4" diameter pipe to connect the vent hood and the CAS unit. Install a VRV-6 and the included 4x6 inch Inceaser on top of the CAS unit and adjust the balance weight to 2/3 of the distance of it's full adjustment range from it's minimum setting. The minimum setting is with the balance weight turned all of the way counterclockwise.

Table 1

Total Input of Appliance CAS-4,4mV Gas (BTU/hr)	Maximum Equivalent Feet of Installation					
	4" Duct And Hood W/Restrictor		4" Duct And 4" Intake Air Hood		6" Duct And 6" Intake Air Hood	
	<i>HI</i>	<i>LOW</i>	<i>HI</i>	<i>LOW</i>	<i>HI</i>	<i>LOW</i>
50,000	300	300	300	300	300	300
75,000	300	300	300	300	300	300
100,000	300	300	300	300	300	300
125,000	300	220	300	220	300	300
150,000	174	108	232	118	300	300
175,000	99	48	152	63	300	300
200,000	52	14	102	32	300	300
225,000	20	NA	68	13	300	239
250,000	NA	NA	45	NA	300	150
300,000	NA	NA	16	NA	300	53
350,000	NA	NA	NA	NA	193	8
400,000	NA	NA	NA	NA	109	NA
450,000	NA	NA	NA	NA	56	NA



INSTALLATION

PLACEMENT OF THE CAS UNIT

The motorized CAS unit should be located on a flat horizontal surface within the same space as that 3 feet of the appliance and within 3 feet of the combustion air intake as possible. Two mounting brackets are provided for securing the unit against a solid structure, such as a wall, column, or the side of the appliance itself. Use the included screws to attach the brackets to the CAS housing as shown in Figure 3. Secure the brackets to a solid structure with appropriate fasteners. It is not required to use the brackets as long as the unit is located so that it may not be bumped, moved, or tipped over. The optional Vacuum Relief Valve (VRV) should be placed directly on the air inlet of the CAS unit if using 6". (See Figure 1) Refer to Diagram A to determine if the VRV is needed. The VRV should be oriented so that the axis of the swinging gate is horizontal.

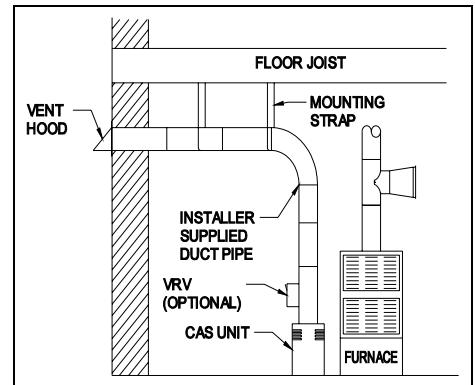


Figure 1

ASSEMBLING THE WEIGHTS ON THE VRV

Refer to Figure 2 to assemble the weight assembly, hex nut, and knurled nut to the VRV gate. After the weight is correctly positioned, tighten the hex nut against the gate to prevent the weight assembly from moving during operation.

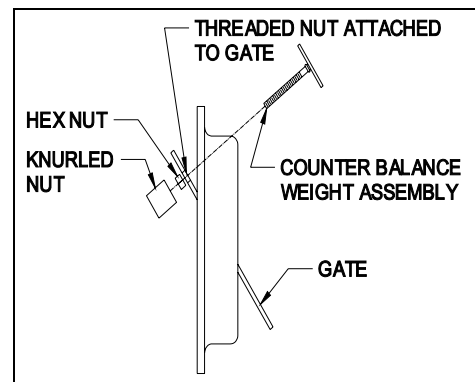


Figure 2

INTAKE AIR HOOD LOCATION

The 4" galvanized vent hood should be located on an outside wall maintaining minimum clearances to other intake and exhaust vents in accordance with the National Fuel Gas Code, ANSI Z223.1, manufacturer's recommendations and/or local codes which are applicable. The hood should be located at least 10 feet from a power vented exhaust outlet and should be on the same wall. The intake air hood should be a minimum of 1 foot above grade or snowlines where applicable.

INSTALLATION OF INTAKE AIR HOOD

After determining the location of the vent hood, cut a 4-1/2 inch round or square hole in the wall. Insert the vent hood and secure with appropriate fasteners. Take precautions to avoid interference with wiring or other plumbing in the wall to be cut.

INSTALLATION OF DUCT

Refer to Diagram A or B to determine what size pipe is needed. Connect the duct pipe from the top of the CAS unit to the Vent Hood in the wall. If using 4" diameter pipe attach the provided 4" x 6" Pipe Increaser Fitting to the top of the CAS unit (or the VRV, if installed). The duct should be supported with appropriate mounting straps from floor joists, walls, or other solid structures. The straps should be placed so as to keep the duct work out of passageways. (See Figure 1) A minimum of 12 feet of pipe should be run to help temper outside air being drawn in. The VRV may also be installed near the intake air hood and adjusted to mix room air with outside air to help temper air in cold climates.

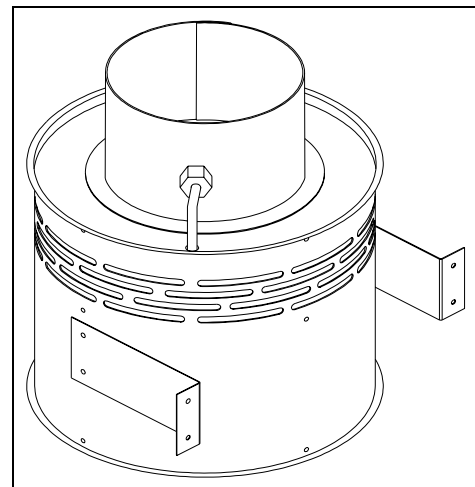


Figure 3

WIRING INSTRUCTIONS

Wire the CAS unit in accordance with the National Electric Code and applicable local codes. UNIT MUST BE GROUNDED. Check the ground circuit to make certain that the unit has been properly grounded. The wiring should be protected by an over-current circuit device rated at 15 amperes. CAUTION must be taken to ensure that the wiring does not come in contact with any heat source. All line voltage and control circuits between the CAS unit and the appliance MUST be wired in accordance with the National Electrical Code for Class I wiring or equivalent.

Remove the wiring access cover to access the wiring terminals. Use the enclosed conduit connector(s) to route the appropriate wires through the CAS housing. The incoming ground wire must be attached to the green colored ground screw near the wire terminals. The following sections describe the most common applications. The references to various series of control kits implies that any kit in that series may be used. If further information or additional wiring diagrams are needed, please consult Field Controls' technical support.

INTERNAL WIRING CONNECTIONS FOR THE CAS UNIT

Refer to Figure 4 for the internal wiring of the CAS-4mV unit.

Wire Key	WIRE COLOR		
	W1	W2	W3
MOTOR MANUFACTURER	W1	W2	W3
McLean Engineering	Black	Blue	Brown
All Others	Brown	Black	Blue

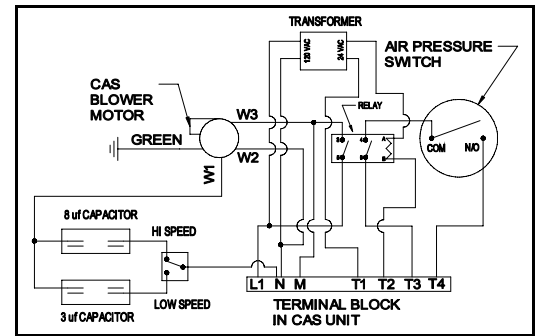


Figure 4

EXTERNAL WIRING CONNECTIONS

Refer to Figures 5-12 for appropriate wiring method.

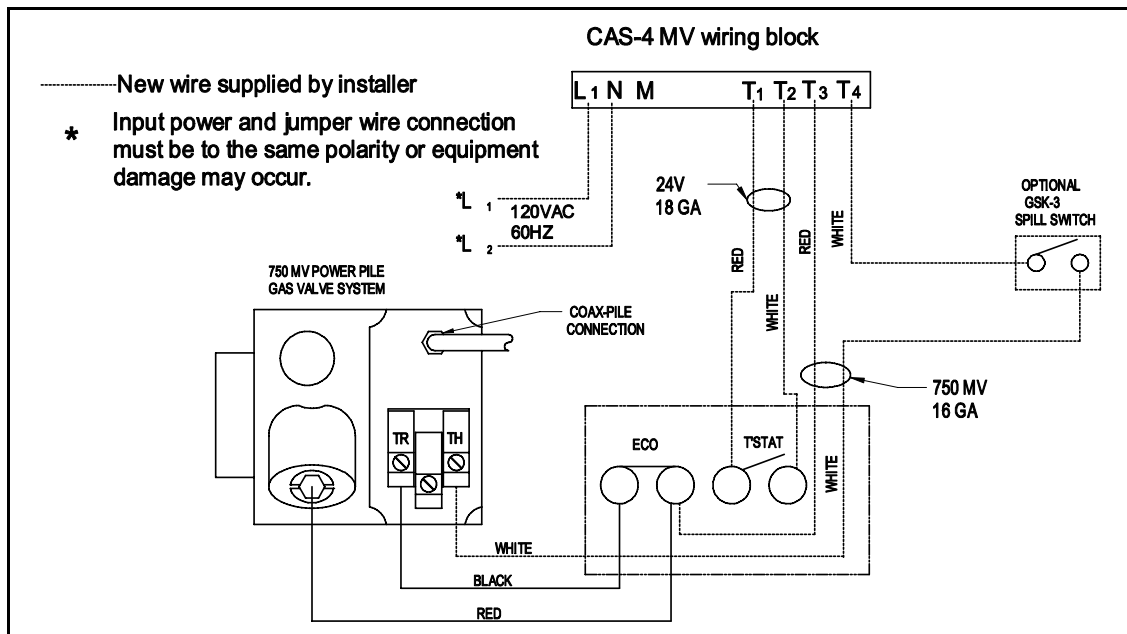


Figure 5 – Chimney Vent Single 750mV Gas Appliance

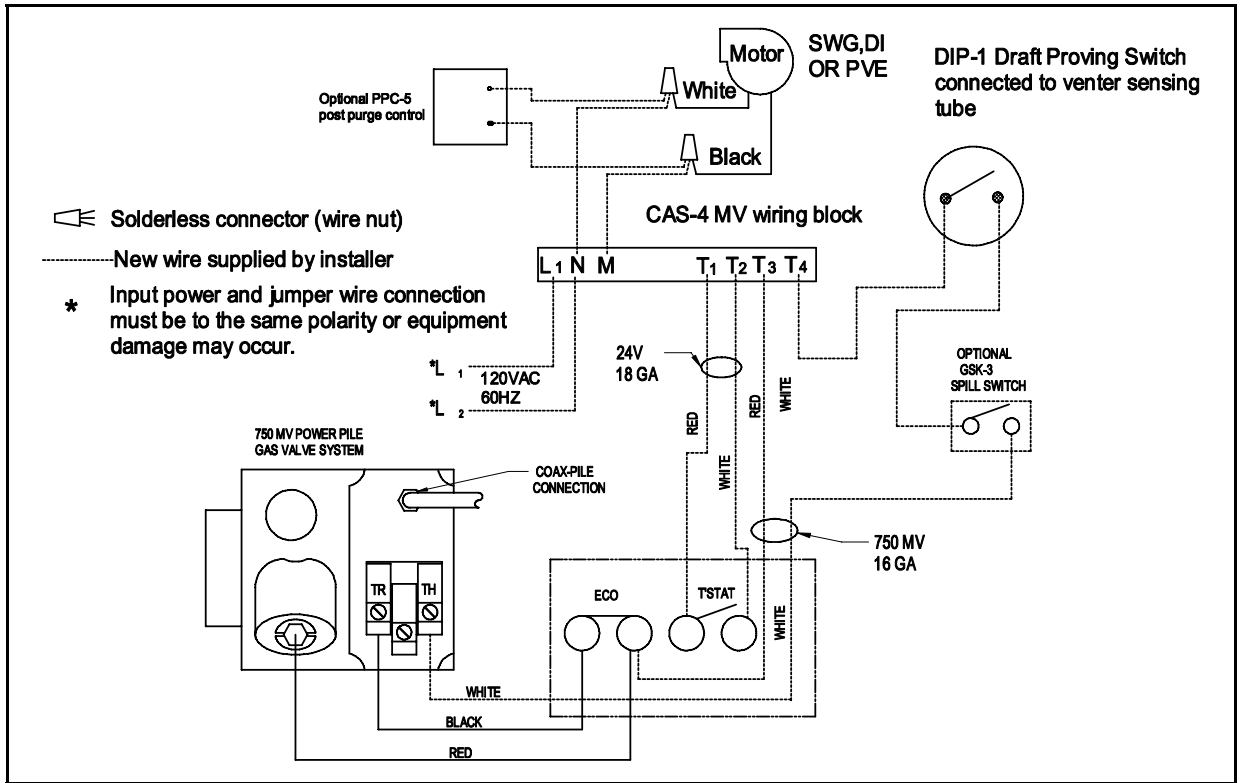


Figure 6 – Power Vent Single 750mV Gas Appliance

MAINTENANCE

1. Inspect the system annually to ensure proper operation by observing that the fan activates when a call for heat occurs and deactivates when the call for heat is satisfied.
2. Disconnect power to the CAS unit and repeat Step 1. Note: The unit should not run and the appliance should not fire in this condition.
3. Inspect the duct pipe for cracks and security to the CAS unit, VRV (if installed), and vent hood.
4. Clear any obstructions, if present, from the inlet of the vent hood and the outlet of the CAS unit.
5. Periodically, the fan blade chamber may need cleaning. First, disconnect the power supply to the CAS. Next, disconnect the duct pipe from the unit. Then remove the top pan and clean the fan housing area as needed. Reattach the top pan, reconnect the duct pipe and the power supply.

REPLACEMENT PARTS

The following items are available for replacement, if needed. In order to replace these parts, power must be disconnected and the unit must be disassembled. If this is necessary, take note of the positions and locations of whatever items that may need to be removed to replace other items. If in doubt, please consult the Field Controls Technical Support at 1-800-742-8368.

Item Description	Field Part Number
Motorized Fan	46274100
Air Pressure Switch	46158500
120 VAC Relay for CAS-3	46257300



FIELD CONTROLS
The Venting Solutions Company™