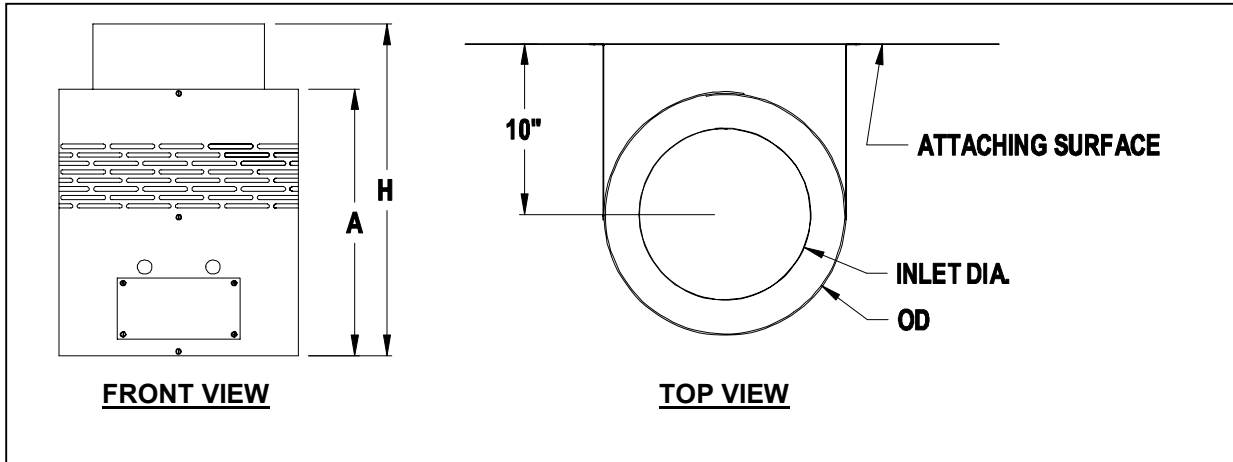




Combustion Air Systems
Models CAS-6, CAS-7



GENERAL SPECIFICATIONS

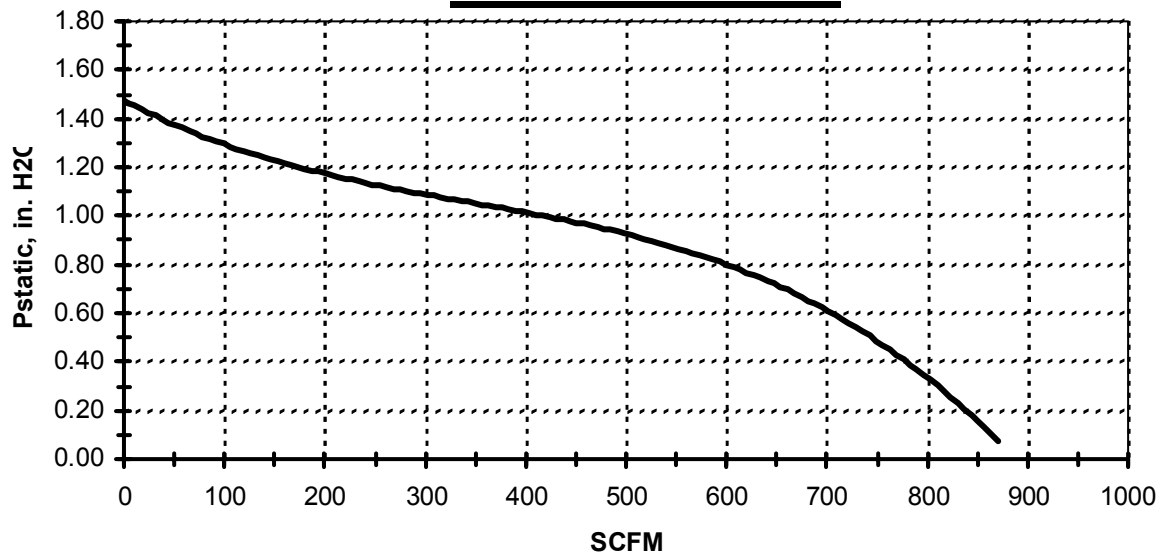
Air Flow @ 0 static pressure (SCFM, fan unit only):	CAS-6	CAS-7
Air Flow @ 1.0" w.c. (SCFM, fan only):	900	1625
Motor Horsepower:	500	1100
Weight* (lb.) fan unit only:	1/2	1/2
Dimensions* (in.):	35	40
	Inlet Dia.:	10
	OD:	14
	H:	19-1/2
	A:	15-1/2
Sound Level*, dB @ 36":	69	72
Motor Voltage (VAC):	115 single phase	115 single phase
Motor Amps. (max.):	5.0	5.0
Control Input Voltage (VAC):	24/115	24/115

Features:

- ETL certified under UL 507 and CSA C22.2 No. 113-M1984 standards, Report # 99*21108-1.
- Ball-bearing motors.
- High-efficiency blower wheel.
- Dual-voltage control circuitry for use with oil- or gas-fired systems.
- Built-in adjustable post-purge feature (models prior to July 2006 only).
- Integral fan-proving safety switch requires actual duct flow, will not be 'fooled' by a blocked intake.
- Available with or without vertical or horizontal mount intake hood (Starkap SK-10 and SK-12).

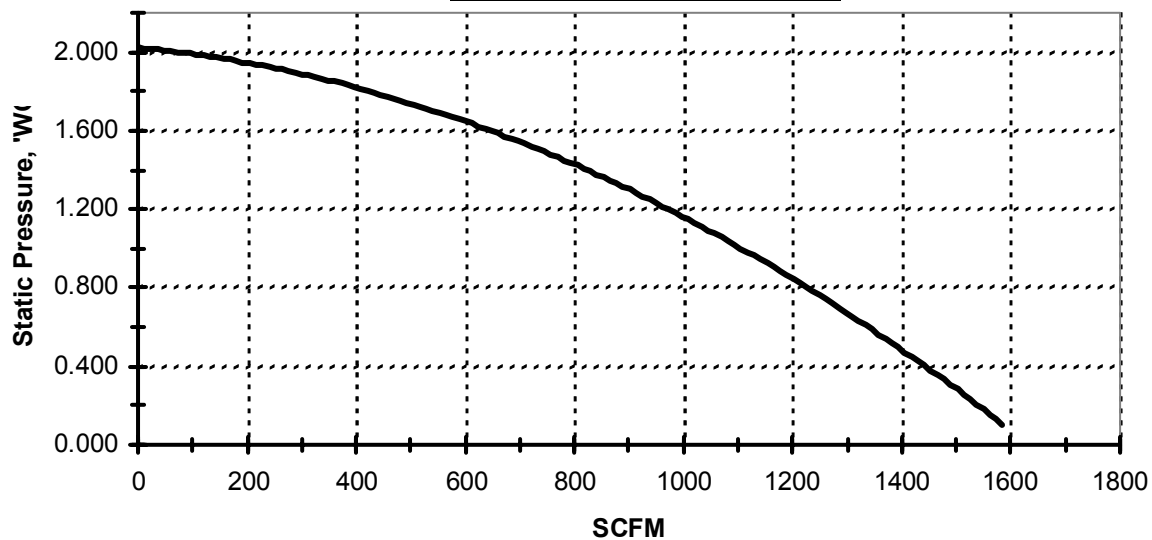
*: Figures are approximate.

CAS-6 Fan-in-a-Drum Fan Performance



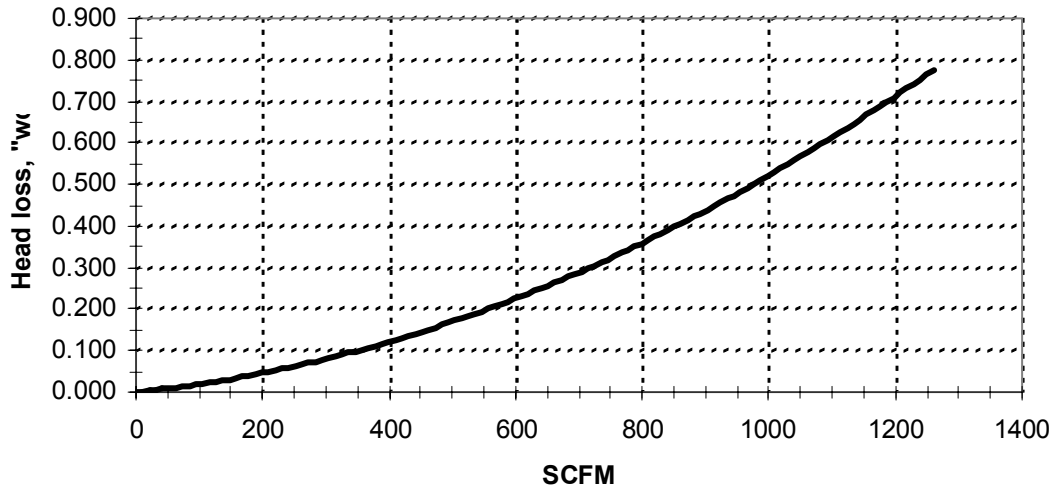
Note: 300 cfm min. required to activate proving switch.

CAS-7 Fan-in-a-Drum Fan Performance



Note: 575 cfm min. required to activate proving switch.

SK-10 AIRFLOW vs. HEAD LOSS



SK-12 AIRFLOW vs. PRESSURE DROP

