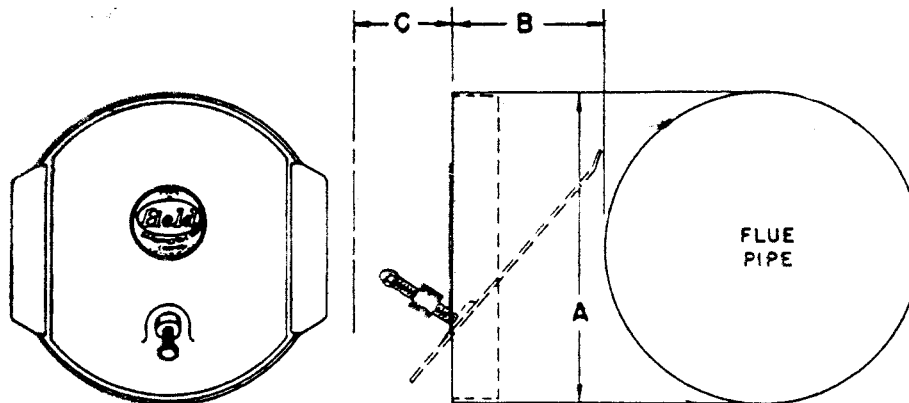


INSTRUCTIONS FOR INSTALLING THE FIELD TYPE M DRAFT CONTROLS WHICH ARE WITHOUT COLLARS.

When draft controls are ordered without collars, it is important that the installer furnish collars of the correct length. A short collar definitely affects the regulating ability of the control, and also allows the gate to swing into the gases in the flue, where it may become fouled with soot, etc.

A minimum clearance should also be provided between the draft control and any wall or other obstruction to allow for free admission of air.

Follow the collar dimensions and minimum clearances given in the table below to avoid trouble.



| CONTROL SIZE (A) | MINIMUM COLLAR (B) | MINIMUM CLEARANCE (C) |
|------------------|--------------------|-----------------------|
| 6 | 5 | 5 |
| 7 | 5-1/4 | 5 |
| 8 | 6-3/8 | 6 |
| 9 | 7-1/4 | 7 |

