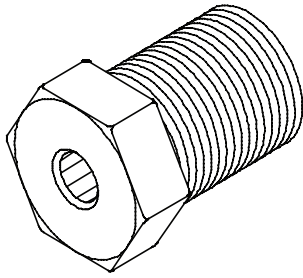
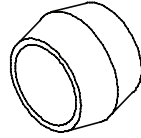


CONTROL KIT ADAPTER KIT

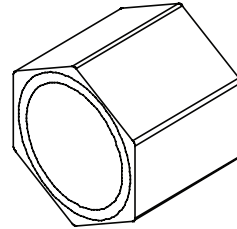
Model: DI to CK



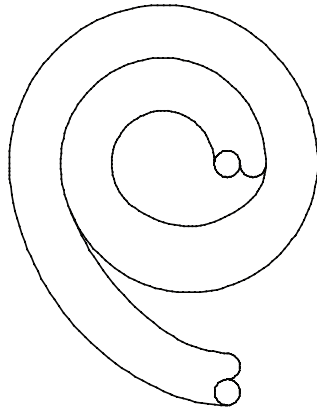
1/4" Tube Fitting



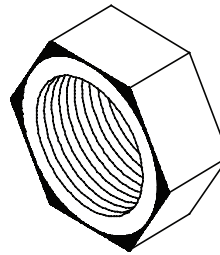
1/4" Tube Sleeve



Tube Nut



5 Feet - 1/4" Tubing



7/16" 24NF Locking Nut

Items Included:

- 1- 7/16" 24NF Locking Nut
- 1- Tube Nut
- 1- 1/4" Tube Sleeve
- 1- 1/4" Tube Fitting
- 5 Feet - 1/4" Tubing

READ THESE INSTRUCTIONS CAREFULLY AND COMPLETELY BEFORE PROCEEDING WITH THE INSTALLATION.

This device MUST be installed by a qualified agency in accordance with the manufacturer's installation instructions. The definition of a qualified agency is: any individual, firm, corporation or company which either in person or through a representative is engaged in, and is responsible for, the installation and operation of HVAC appliances, who is experienced in such work, familiar with all the precautions required, and has complied with all the requirements of the authority having jurisdiction.

Please retain these instructions after installation.

Installed By: _____ Phone: _____ Installation Date: _____



FIELD CONTROLS

www.fieldcontrols.com

INSTALLATION

- 1. Remove the plug button on the side of the draft inducer housing. (See Figure 1)
- 2. Insert the tubing fitting through the hole and fasten it with the fitting nut. (See Figure 2)

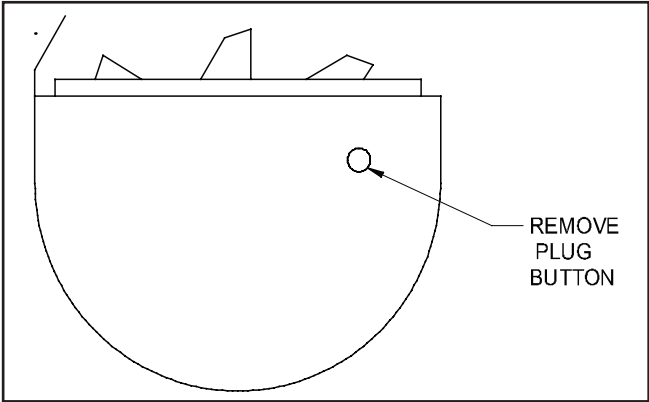


Figure 1

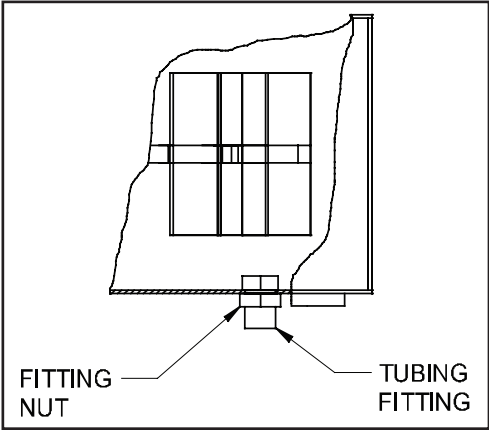


Figure 2

PRESSURE SWITCH SENSING TUBE

1. Connect the supplied 1/4" aluminum tubing to the tubing fitting.
2. Route the tubing to the CK-Kit junction box and connect the tubing to the pressure switch. (See Figure 3)
When routing the tubing, avoid kinking the tubing by bending the tubing too sharply.
3. For tubing distance greater than 5 ft. and less than 30 ft., use 1/4 in. O.D. copper, aluminum or plastic tubing to avoid contact with any hot surfaces.
4. Refer to the CK-Kit and the DI-inducer installation instructions for wiring and setting systems air flow.

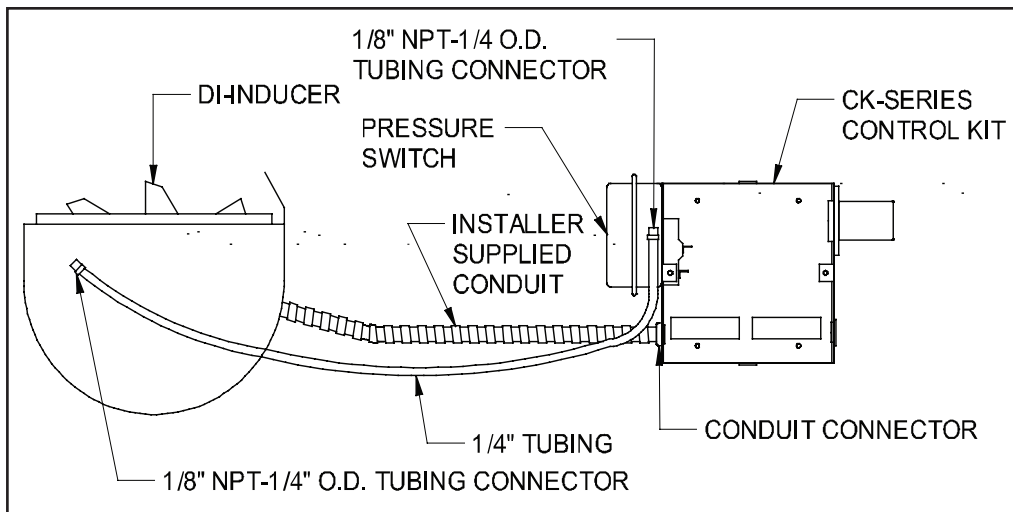


Figure 3

WARRANTY

For warranty about this or any Field Controls product, visit:
www.fieldcontrols.com/warranty



FIELD CONTROLS

Phone: 252.522.3031 • Fax: 252.522.0214
www.fieldcontrols.com