

COMBUSTION AIR SYSTEM

Model: CAS-6, CAS-6SK, CAS-7, and CAS-7SK



This product is designed for use with any oil or gas fired furnace, water heater, or boiler with 24 VAC or 120 VAC control systems. It may also be used with millivolt water heaters and more than one appliance. The CAS unit mechanically draws air into a structure and disperses it near the combustion air intake of an appliance. Refer to Diagrams A & B for guidance in setting up the CAS system based on the size and length of the connecting duct work and the input rating of the appliance.

ITEMS INCLUDED:

- 1- CAS Unit (ETL Listed) "Fan-In-A-Drum"
- 1- Star Kap (only on SK Models)
- 2- Mounting Brackets for CAS Unit
- 2- Wire/Conduit connectors
- 1- 24VAC Control Relay (SPDT)
- 1- 120VAC Control Relay (SPDT)

READ THESE INSTRUCTIONS CAREFULLY AND COMPLETELY BEFORE PROCEEDING WITH THE INSTALLATION.

This device **MUST** be installed by a qualified agency in accordance with the manufacturer's installation instructions. The definition of a qualified agency is: any individual, firm, corporation or company which either in person or through a representative is engaged in, and is responsible for, the installation and operation of HVAC appliances, who is experienced in such work, familiar with all the precautions required, and has complied with all the requirements of the authority having jurisdiction.

Please retain these instructions after installation.

Installed By: _____ Phone: _____ Installation Date: _____



FIELD CONTROLS

www.fieldcontrols.com

GENERAL SYSTEM OPERATION

1. The thermostat (wall thermostat, or aquastat) calls for heat and energizes a relay which activates the CAS unit. After the CAS fan has come up to speed, an internal air pressure switch closes and completes the circuit to allow the burner to fire. If the appliance is power vented, the venter will typically activate before the CAS unit.
2. After the heating requirement has been satisfied, the thermostat circuit will open and deactivate the burner and CAS unit.
3. For power vented systems with a post purge device, the power venter will operate for a period of time determined by the post purge timer setting after the burner has shut off to purge remaining flue gases from the vent system.

INSTALLATION SAFETY INSTRUCTIONS

CAUTION: This device must be installed by a qualified installer in accordance with the manufacturer's installation instructions.

1. This combustion air system must be installed by a qualified installer. "Qualified Installer" shall mean an individual who has been properly trained or a licensed installer.
2. Plan the system layout before installation to avoid the possibility of accidental contact with concealed wiring or plumbing inside walls.
3. Disconnect power supply before making wiring connections to prevent electrical shock and equipment damage.

SIZING AND SETUP

Diagram A shows the maximum equivalent length and size of duct pipe that should be used when installing the CAS-6 system; Diagram B shows the same for the CAS-7. Using this table will help ensure that the proper amount of air is drawn into the structure as needed by the appliance. The defined regions shown correspond to the CAS's airflow characteristics when using various sizes of duct pipe for the CAS-6 and CAS-7. Follow the guidelines below to properly size and set up the CAS system.

1. Determine the input firing rate of the appliance, or the total firing rate of multiple appliances that will be used.
2. Determine the location of the CAS unit according to the guidelines in the Installation section.
3. Determine where the intake air StarKap will be located based on the recommendations in the Installation section.
4. On Diagram A or B (as appropriate), locate the point that corresponds to the firing rate along the horizontal axis and draw a vertical line through this point.
5. The line should pass through at least one of the pipe size regions on the table. The regions correspond to the maximum equivalent lengths of the given diameter duct pipe that will be adequately sized for the application.
6. Calculate the equivalent length of the smaller diameter duct pipe that may be used with the particular CAS system, including elbows, reducer/increaser and other fittings (except the StarKap, see the Field Controls Contractor Reference Guide). The effects of the StarKap are already figured into the diagram, so do not attempt to include any value for the StarKap in your calculation for equivalent length. Draw a horizontal line through the point corresponding to the equivalent length on the vertical axis.
7. Locate the intersection of the two drawn lines. If the intersection lies in the region for the equivalent length of pipe for which the equivalent length was calculated, then that diameter of duct pipe will be of sufficient size for the application. If not, then repeat step 7 using a larger diameter duct, then proceed to step 9.
8. If the intersection of the two lines falls into the larger duct region, then that diameter duct will be of sufficient size for the application. If it falls to the right of the larger pipe region, then even larger pipe or additional CAS units will be required for the application. For assistance in this case, call Field Controls Technical Support at 1-800-742-8368.

Example: An oil fired appliance firing at 10.5 gph where a CAS-7 unit needs to be placed at a location requiring 80' of pipe from the StarKap, using two 90° elbows:

From Diagram B, a vertical line is drawn through the point at 10.5 gph on the Oil Firing Rate scale. For 80 feet of 10" pipe, two 90 degree elbows, and two increaser/reducers, the equivalent length is $80 + 18 + 18 + 6 + 6 = 128'$ of equivalent length. A horizontal line drawn through the point at 128' on the Equivalent Length scale intersects the vertical line in the 12" duct region of the diagram. Since the intersection is not in the 10" duct region, recalculate the equivalent length using 12" duct: $80 + 21 + 21 + 7 + 7 = 136'$ of equivalent length. A horizontal line drawn through the 136 point on the Equivalent Length scale intersects the vertical line within the 12" duct region of the diagram; therefore, 12" duct will be of sufficient size for the application.

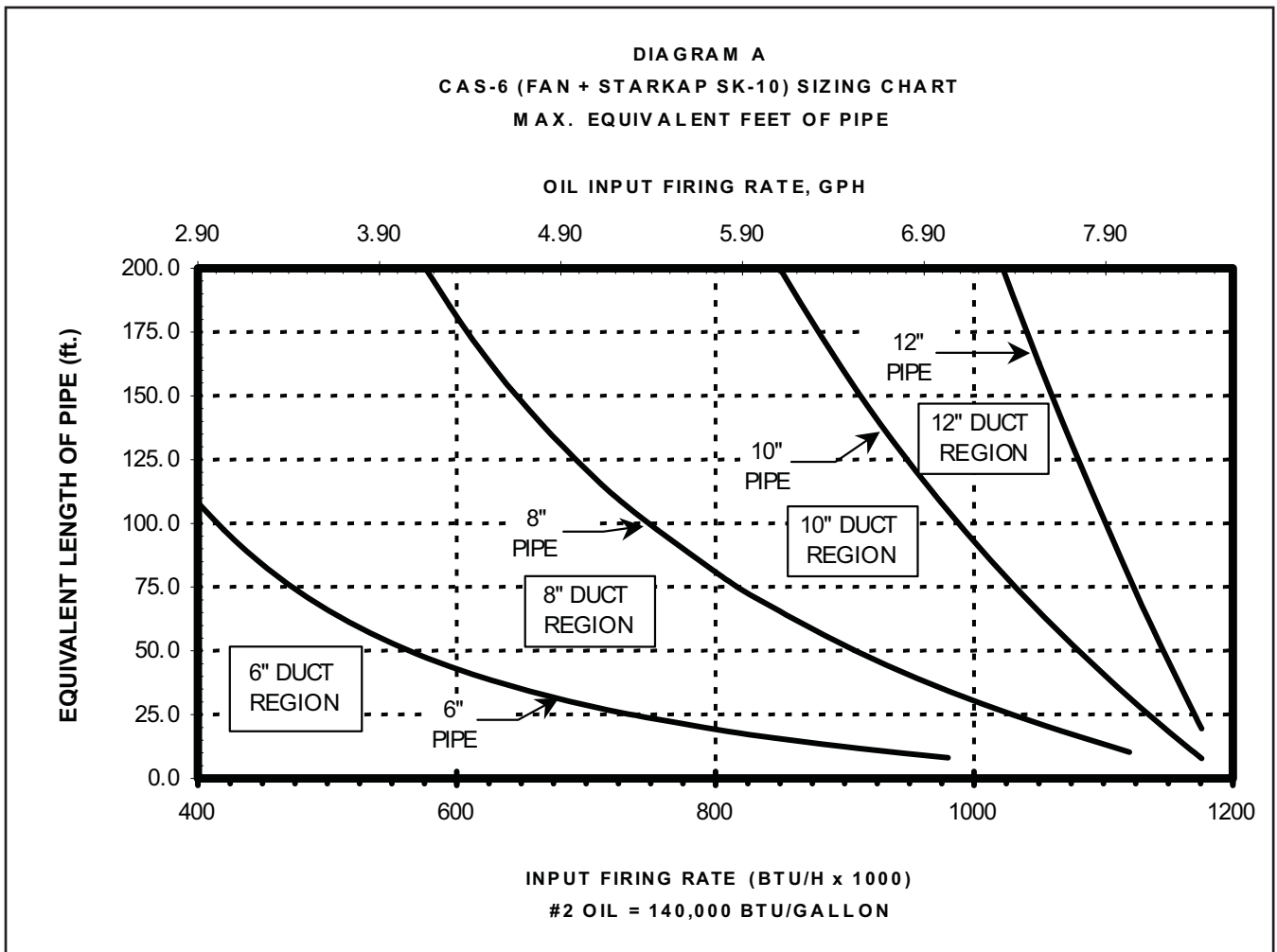


Diagram A

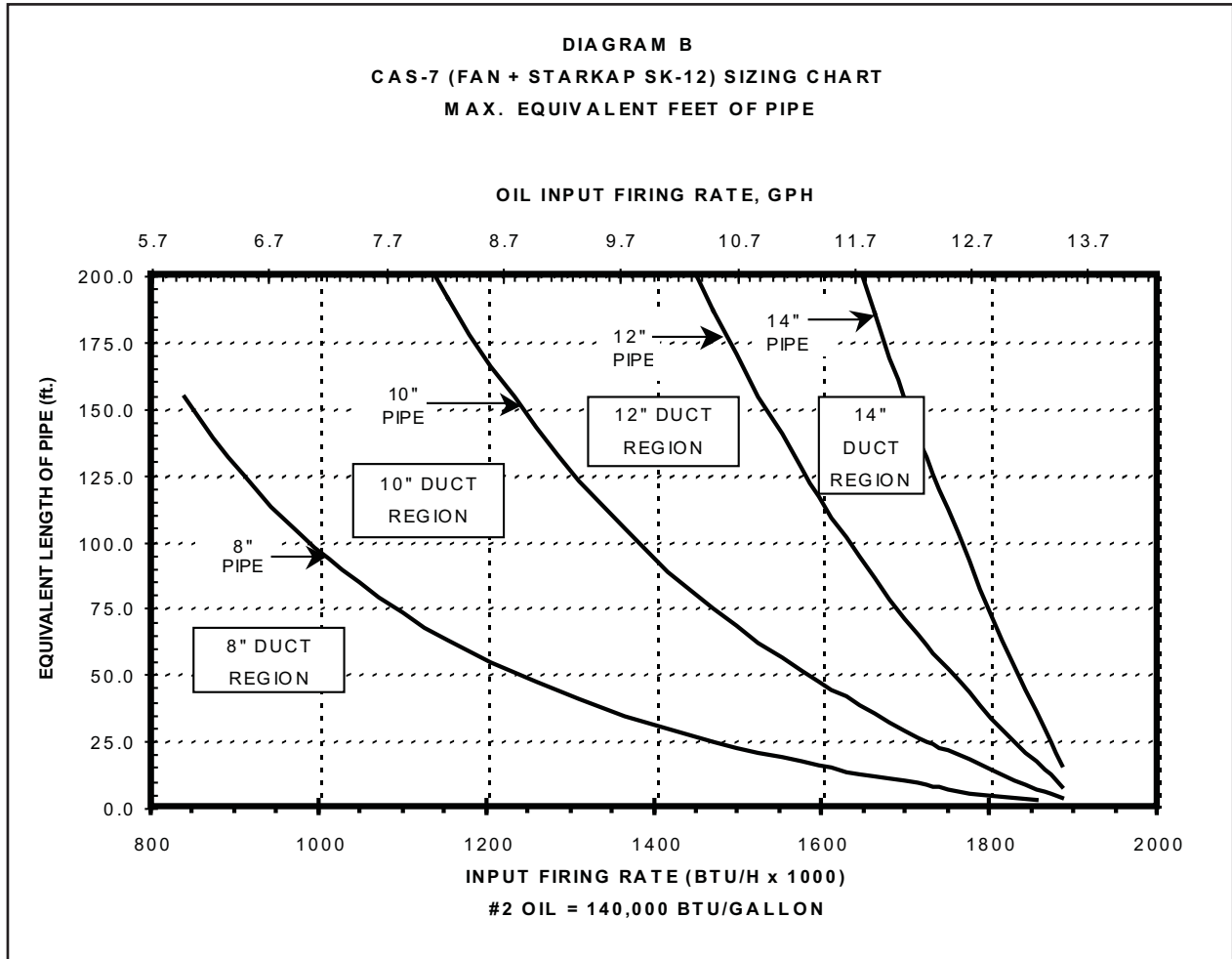


Diagram B

Equivalent Feet for Vent Pipe Fittings				
Vent Pipe Fittings	Vent Pipe Diameter			
	8"	10"	12"	14"
Tee	50	63	75	89
Y-Connection	26	32	39	45
90° Elbow	14	18	21	25
45° Elbow	7	9	10	13

Table 1

MAXIMUM EQUIVALENT LENGTH OF PIPE, INCLUDING STARKAP®				
CAS-6 OIL (gph)	CAS-6 GAS (BTU/hr)	8" duct	10" duct	12" duct
3	420,000	410	1253	3119
3.25	455,000	344	1051	2616
3.5	490,000	291	890	2217
3.75	525,000	249	760	1893
4	560,000	214	653	1627
4.25	595,000	185	584	1405
4.5	630,000	160	489	1217
4.75	665,000	139	424	1057
5	700,000	121	369	919
5.25	735,000	105	321	800
5.75	805,000	79	241	601
6	840,000	58	176	519
6.50	910,000	49	151	377
CAS-7 OIL (gph)	CAS-7 GAS (BTU/hr)	10" duct	12" duct	14" duct
6	840,000	469	1167	2523
6.5	910,000	381	948	2050
7	980,000	311	776	1678
7.5	1,050,000	256	637	1378
8.25	1,155,000	191	476	1029
9	1,260,000	142	354	766
9.75	1,365,000	104	260	563
10.5	1,470,000	74	186	403
11.25	1,575,000	51	127	274
12	1,680,000	31	78	207
12.75	1,785,000	15	39	114
12.88	1,803,000	13	33	72

INSTALLATION

PLACEMENT OF THE CAS UNIT

The motorized CAS unit should be located on a flat horizontal surface near the combustion air intake of the appliance. Two mounting brackets are provided for securing the unit against a solid structure, such as a wall, column, or the side of the appliance itself. Use the included screws to attach the brackets to the CAS housing as shown in Figure 1. Secure the brackets to a solid structure with appropriate fasteners. It is not required to use the brackets as long as the unit is located so that it may not be bumped, moved, or tipped over.

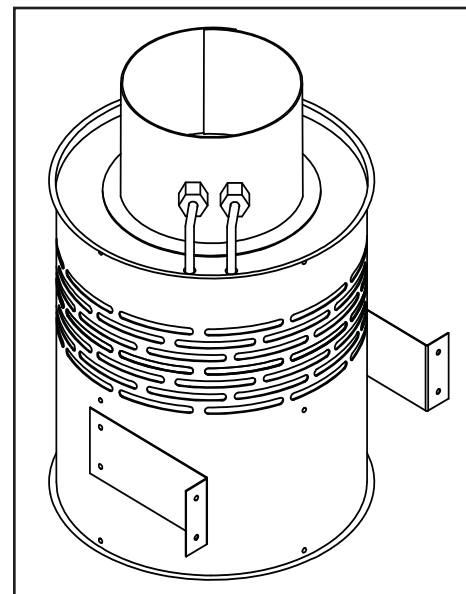


Figure 1

INTAKE AIR STARKAP LOCATION

The StarKap should be located on an outside wall or roof maintaining clearances to other intake and exhaust vents in accordance with the National Fuel Gas Code, ANSI Z223.1, manufacturer's recommendations and/or local codes which are applicable. The StarKap should be located at least 10' from a building exhaust outlet, equipment vent, or chimney termination.

INSTALLATION OF INTAKE AIR STARKAP

After determining the location of the StarKap, cut an appropriately sized hole in the wall or roof, taking precautions to avoid interference with wiring or other plumbing in the structure to be cut. Pre-attach a short length of duct to the StarKap if necessary. Insert the StarKap and secure with appropriate fasteners. Flash in the opening in accordance with local building codes.

INSTALLATION OF DUCT

Refer to Diagram A or B to determine what size pipe is needed. Connect the duct pipe from the top of the CAS unit to the StarKap. If using pipe of different diameter than the CAS component connections, attach increaser/reducer fittings as close to the CAS unit and to the StarKap as possible. The duct should be supported with appropriate mounting straps from floor joists, walls, or other solid structures. The straps should be placed so as to keep the duct work out of passageways. (See Figure 2) For best performance, install elbows or tees no closer than 3 pipe diameters from the inlet of the CAS unit.

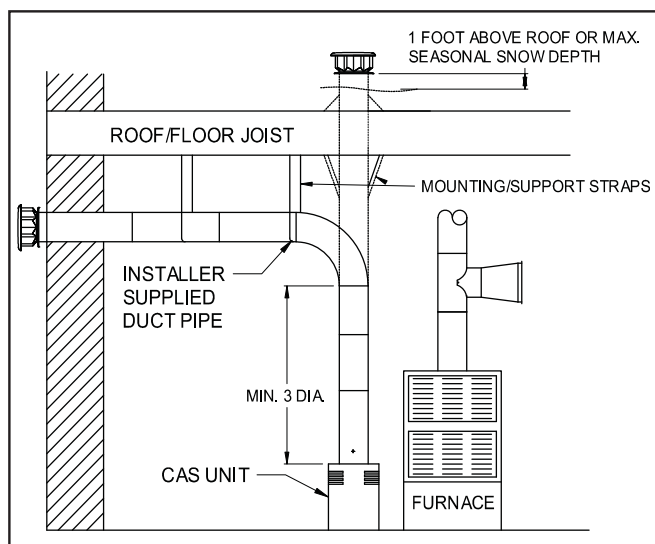


Figure 2

WIRING

Wire the CAS unit in accordance with the National Electrical Code and applicable local codes. **UNIT MUST BE GROUNDED.** Check the ground circuit to make certain that the unit has been properly grounded. The wiring should be protected by an over-current circuit device rated at 20 amperes. **CAUTION** must be taken to ensure that the wiring does not come in contact with any heat source. All line voltage and control circuits between the CAS unit and the appliance **MUST** be wired in accordance with the National Electrical Code for Class I wiring or higher, according to the installation environment.

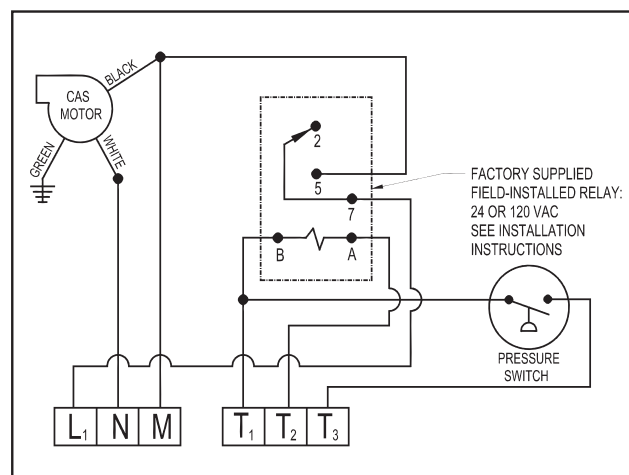


Figure 3

1. Remove the wiring access cover to access the wiring terminals.
2. Select the appropriate control relay for the appliance control system voltage from the two relays supplied with the CAS system (see illustration). Use the 24VAC relay for a 24V control system (typical gas-fired), or the 120VAC relay for a 120V control system (typical oil-fired). Install the selected relay into the socket provided on the wiring panel, and secure with the wire retaining clip.
3. Use the enclosed conduit connectors or like connectors to route the appropriate wires through the CAS housing. The incoming ground wire must be attached to the green grounding screw located near the wire terminals. The following sections describe the most common applications. The references to various series of control kits implies that any kit in that series may be used. Such as when a figure refers to a CK-60 series kit, a CK-60, 61, 62, etc. may be used. If further information or additional wiring diagrams are needed please consult Field Controls' technical support.

INTERNAL WIRING CONNECTIONS FOR THE CAS UNIT

Refer to Figure 3 for the internal wiring of the CAS-6/7 unit.

EXTERNAL WIRING CONNECTIONS

Refer to Figure 4 for typical 120 VAC oil fired burner or Figure 5 for 24 VAC gas fired burner connections that should be used when connecting the CAS unit. Refer to Figure 6 for connecting a single 120 VAC appliance to the CAS, or Figure 7 for 24 VAC. The three wires BURNER, WHITE, and ORANGE in Figure 4 correspond to the same wires shown in Figures 6 & 10. The three wires labeled 1, 2, and 3 in Figure 5 correspond to the same wires shown in Figures 7-9. Refer to Figures 8-10 for connecting multiple appliances to one CAS unit. Note that an RJR-5 or RJR-6 relay and/or a CAC-24, CAC-120 or DIP-1 are required on certain multiple-appliance applications. Figure 11 shows how the pressure switch port on the CAC/DIP-1 should be attached to the CAS. Note that the correct 1/4" plastic tubing on the top of the CAS unit must be cut and a 3-way male barb TEE suitable for 1/4" tubing installed as shown in order to connect the CAC pressure port/DIP-1.

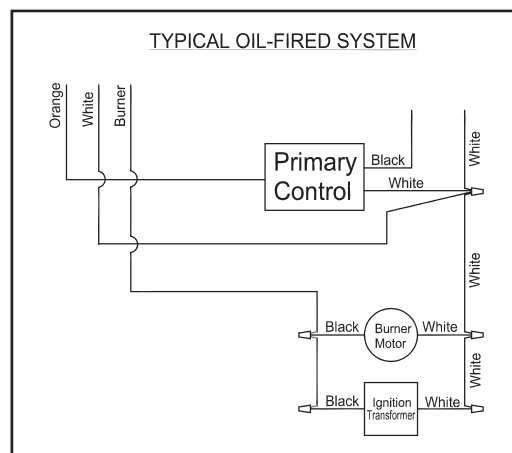


Figure 4

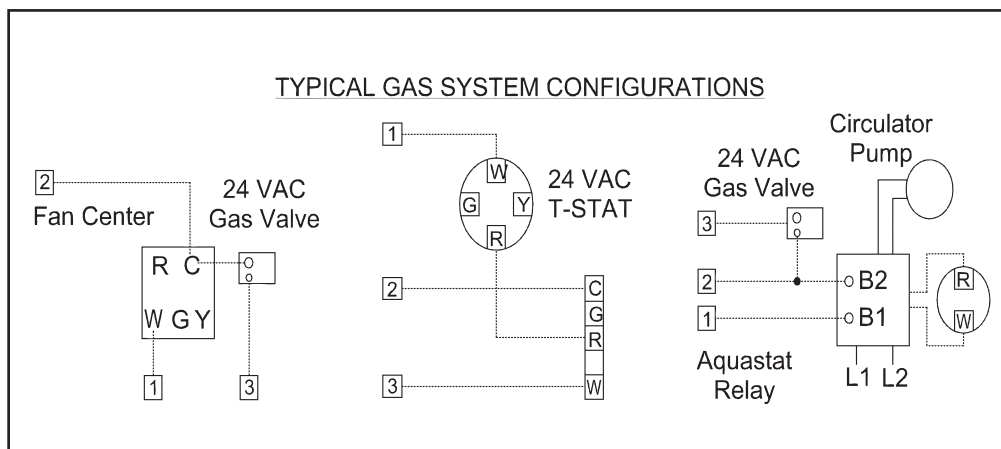


Figure 5

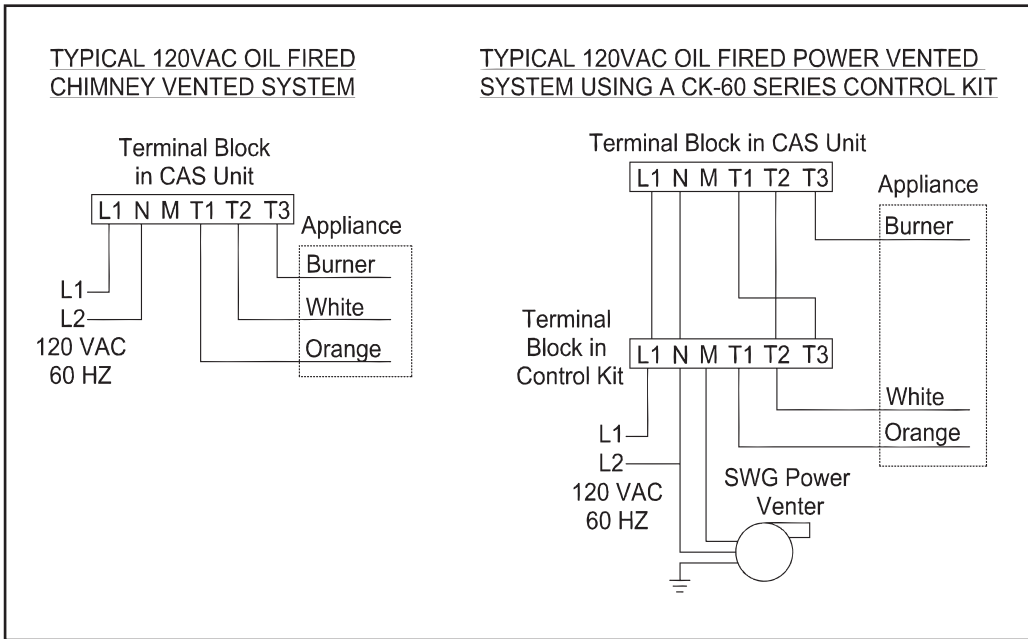


Figure 6

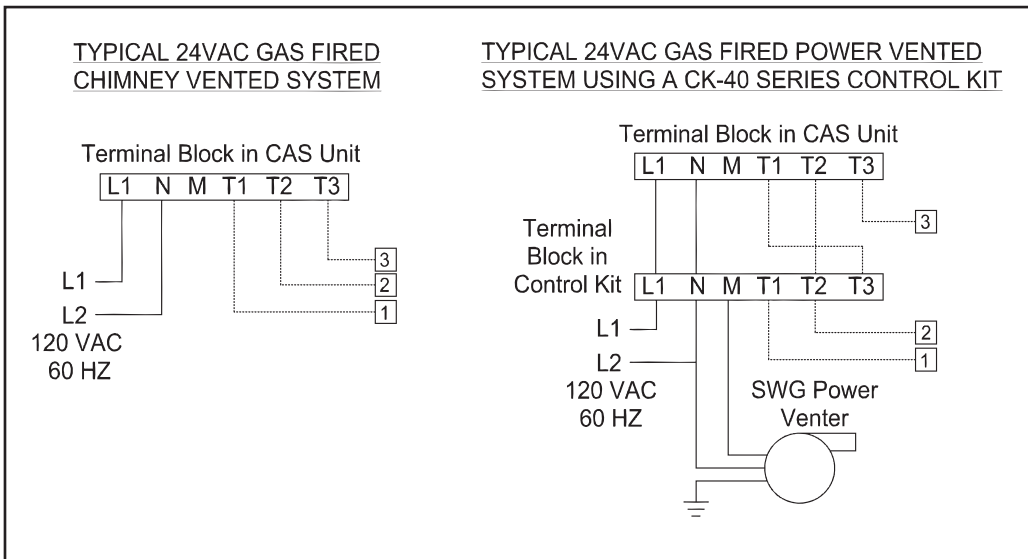


Figure 7

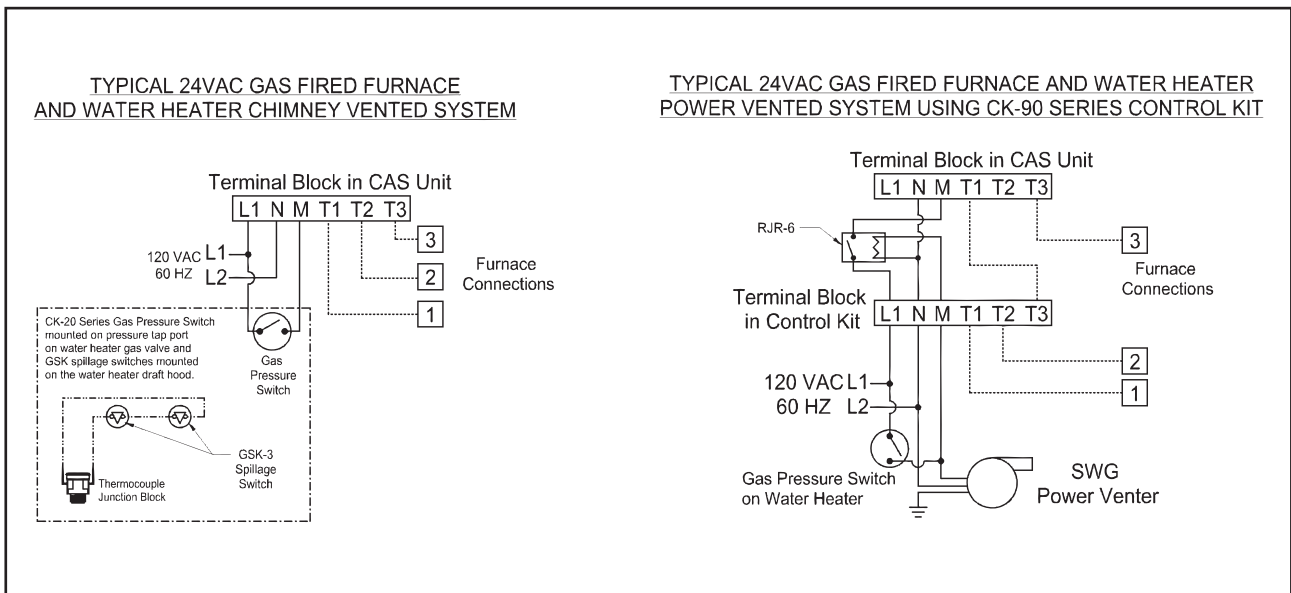


Figure 8

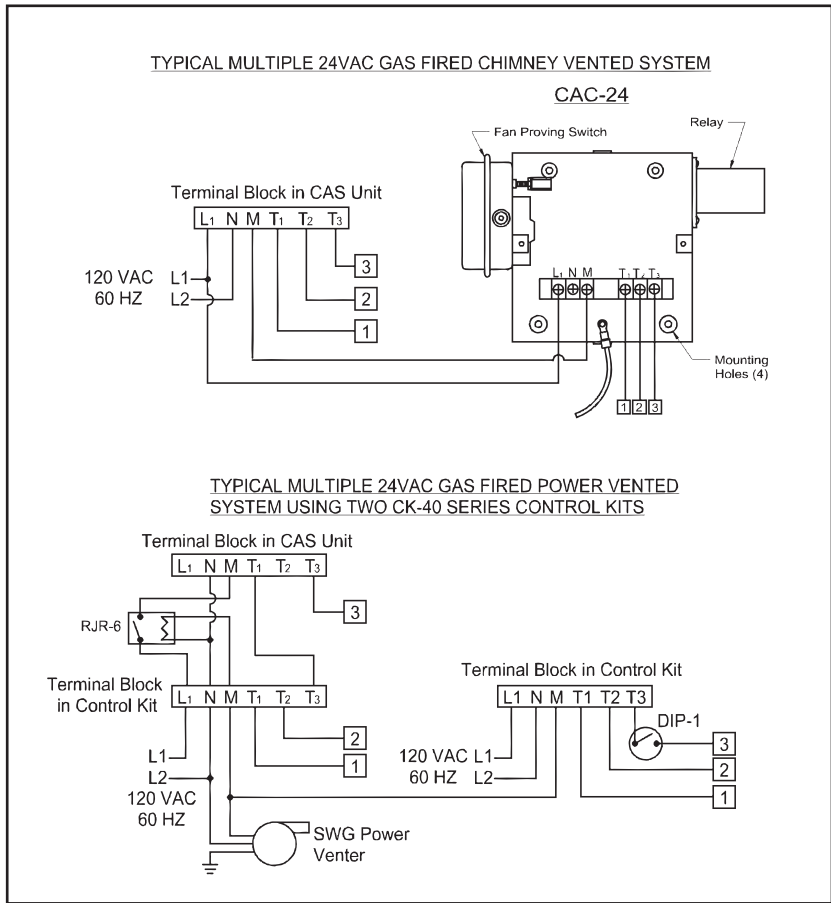


Figure 9

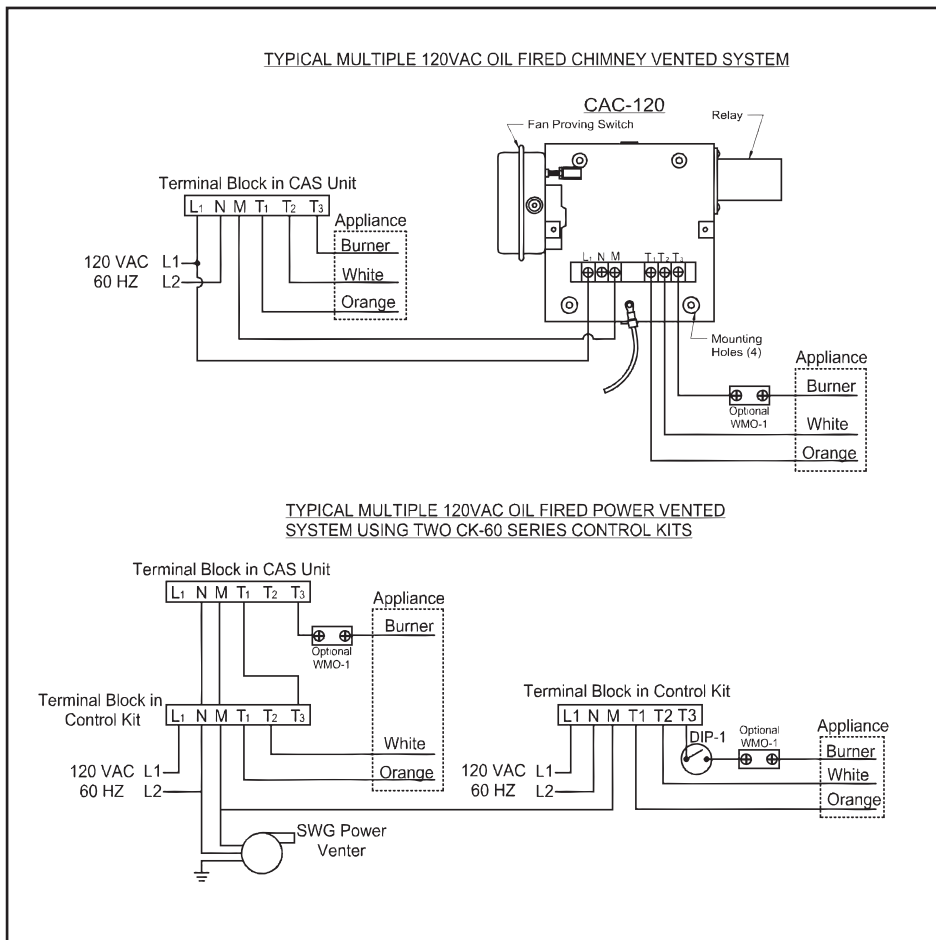


Figure 10

TYPICAL 24VAC BOILER OR WATER HEATER WITH VENT OR FLUE DAMPER
USING ADA-1 DAMPER ADAPTER

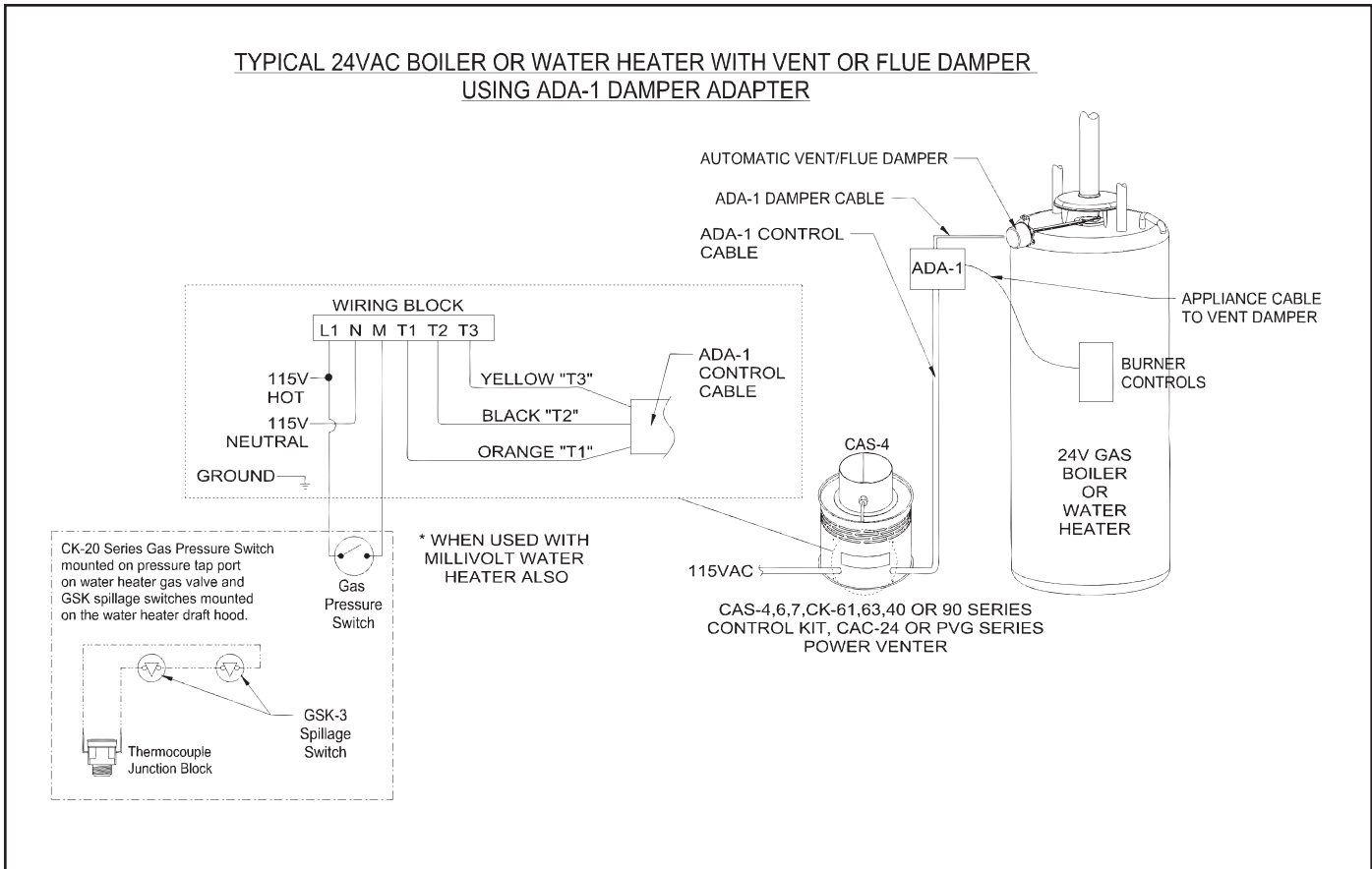


Figure 11

TOP VIEW OF CAS UNIT

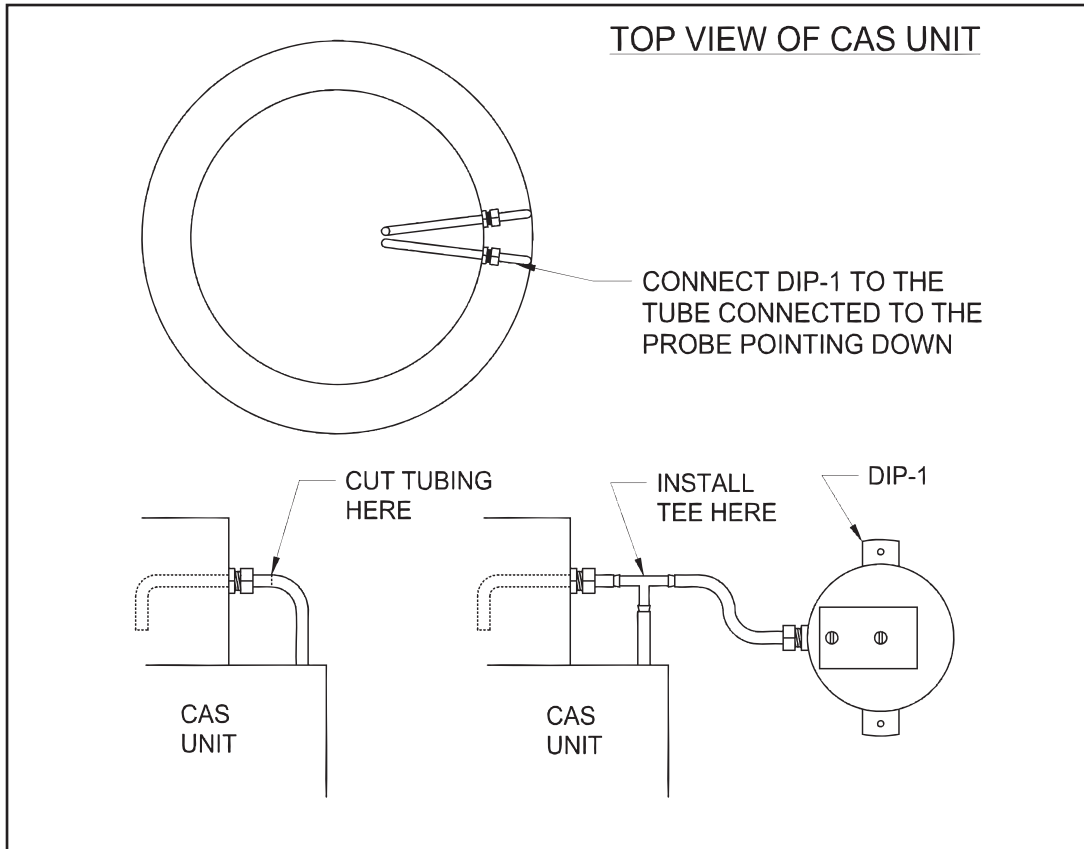


Figure 12

MAINTENANCE

1. Inspect the system annually to ensure proper operation by observing that the fan activates when a call for heat occurs and deactivates when the call for heat is satisfied.
2. Disconnect power to the CAS unit and repeat Step 1. NOTE: The unit should not run and the appliance should not fire in this condition.
3. Inspect the duct pipe for loose joints, damage, and security to the CAS unit and StarKap.
4. Clear any obstructions, if present, from the inlet of the StarKap and the outlet of the CAS unit.
5. Periodically, the fan blade chamber may need cleaning. First, disconnect the power supply to the CAS. Next, disconnect the duct pipe from the unit. Then remove the top pan and clean the fan housing area as needed. Reattach the top pan, reconnect the duct pipe and the power supply.
CAUTION: A minimum clearance of 1" must be maintained between the bottom of the fan blade and the top of the metal surface underneath. FAILURE TO MAINTAIN THIS CLEARANCE MAY RESULT IN A FIRE HAZARD AND WILL VOID THE WARRANTY.

REPLACEMENT PARTS

The following items are available for replacement, if needed. In order to replace these parts, power must be disconnected and the unit must be disassembled. If this is necessary, take note of the positions and locations of whatever items that may need to be removed to replace other items. If in doubt, please consult Field Controls Technical Support at 1-800-742-8368.

MODEL	ITEM DESCRIPTION	PART NUMBER
CAS-6	AC Motor	46363400
	Blower Wheel	46363600
	Pressure Switch	46363500
	Timer Relay	46144700
	24 VAC Control Relay SPDT	46080200
	120 VAC Control Relay SPDT	46111100
CAS-7	AC Motor	46363400
	Blower Wheel	46363700
	Pressure Switch	46363500
	Timer Relay	46144700
	24 VAC Control Relay SPDT	46080200
	120 VAC Control Relay SPDT	46111100

Warranty

For warranty information about this or any Field Controls product, visit:
www.fieldcontrols.com/warranty



FIELD CONTROLS
Phone: 252.522.3031 • Fax: 252.522.0214
www.fieldcontrols.com