

INSTRUCTIONS FOR FIELD TYPE MGI DOUBLE ACTING DRAFT CONTROL

Installation and Adjustment — See sections on control locations and collar installation.

Insert the draft control into the collar. The front face of the control **MUST BE PLUMB**. The bearing surfaces **MUST BE LEVEL** whether the control is on a horizontal, vertical or sloping flue pipe. Use a spirit level, plumb and level accurately. Secure the control in the collar by tightening the clamping screws. If the collar is supplied locally, the control may be held in place by small bolts or sheet metal screws. If the control has any tendency to sag, support it from the ceiling by wire or by strapping.

Vertical Flues — The control is shipped for installation in a vertical flue. The screw should be left in the top hole of the weight lever. (Fig. 1A.)

Horizontal Flues — For horizontal flues, remove the screw from the upper hole in the weight lever and insert it in the lower hole. (Fig. 1B.)

Adjusting the Control — The control must be adjusted to the desired draft setting by adding or removing the washer-type weights supported by the two chains. (Fig. 1C.) **DO NOT MOVE THE WEIGHT ATTACHED DIRECTLY TO THE GATE.** (Fig. 1D) as they are used only for adjustment at the factory.

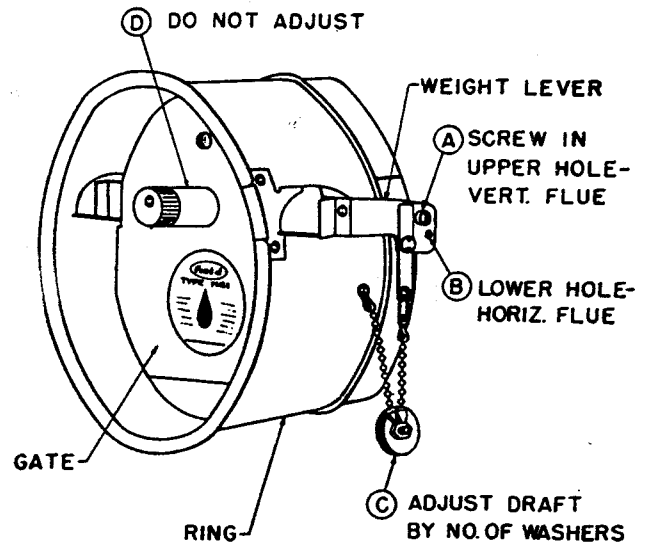


Fig. 1.

G-288C11434

Control Locations — For gas-fired equipment, the preferred installation is in a bullhead tee (see fig. A, B, C). Fig. D through J show acceptable locations if it is not feasible to locate the control as per Fig. A, B, C.

Do not install in a room separated from the appliance. Do not install in a chimney below where the flue enters.

PLEASE OBSERVE THESE CAUTIONS:

LIKE OTHER GAS APPLIANCES OR ATTACHMENTS, THE DRAFT CONTROL NEEDS THE APPROVAL OF YOUR LOCAL GAS COMPANY AND CITY INSPECTORS. CHECK TO MAKE SURE THE CONTROL HAS BEEN FORMALLY APPROVED IN YOUR COMMUNITY.

INSPECT THE HEATING PLANT AND BUILDING FOR CONDITIONS WHICH MIGHT CAUSE PROLONGED DOWN DRAFTS AND HAVE THESE CONDITIONS CORRECTED. A CHIMNEY WITH ITS TOP LOWER THAN OTHER PARTS OF THE ROOF OR TOO CLOSE TO A HIGHER BUILDING MAY CAUSE PROLONGED DOWN DRAFTS. A LARGE EXHAUST FAN IMPROPERLY LOCATED MAY PULL AIR DOWN THE CHIMNEY.

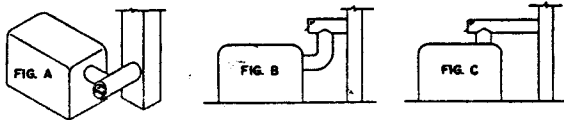
What Draft Setting To Use — When adjusting the control, two things are essential:

1. The burner must be operating.
2. An analysis of the flue gases is necessary to determine the percentage of CO₂ and check for presence of CO. Consult with the burner manufacturer and local gas company regarding the proper CO₂ readings.

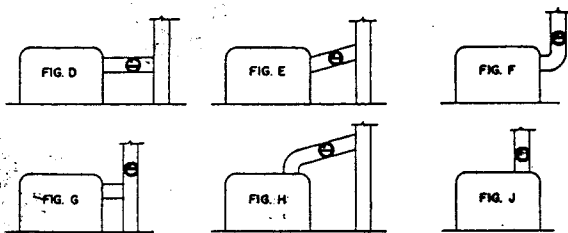
Changes in the adjustment of the control should be made by adding or removing the washer-like weights (supplied with the control) to or from the weight holder supported by the bead chain.

After the control is adjusted, its action will be entirely automatic, the gate opening or closing by itself to correct for changes in drafts that occur in the chimney from time to time.

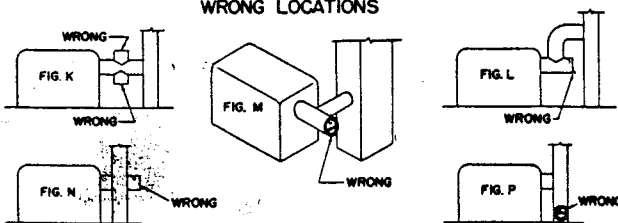
BEST LOCATIONS FOR GAS



ACCEPTABLE LOCATIONS



WRONG LOCATIONS



B-310C10886

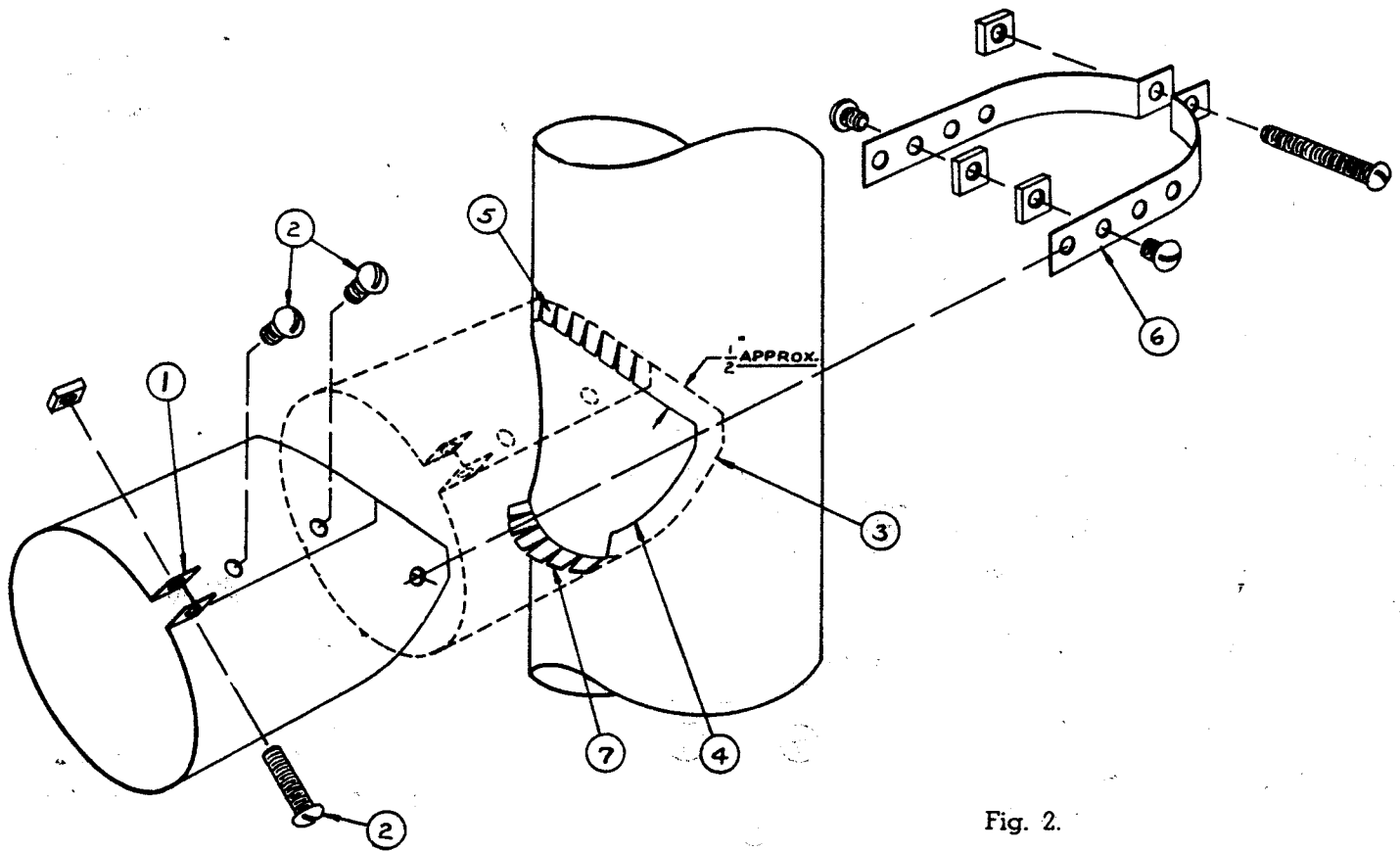


Fig. 2.

Collar Installation — This control is shipped with a collar patterned to fit a round breaching. To attach this collar to the flue, see Fig. 2 and follow the instructions as follows:

1. Bend outward the two ears at the front corners of the collar. Bend 90°, 1/4 inch behind the single hole on the straps.
2. Insert clamping screw in ears on collar and bolt the remainder of the collar together.
3. Hold the collar against the side of the flue in the exact position it is to be installed (shown by dotted lines) and mark the outline of the collar on the flue.
4. Cut a hole in the flue about 1/2" inside of this outline.
5. Make a series of cuts about 1/2" apart from the edge of this hole to the outline marks.
6. Strap the collar to the flue pipe.
7. Bend the tabs formed by the series of cuts outward against the inside of the collar to make a tight joint.
8. Insert the draft control (See Installation & Adjustment).

If flue pipe is made of material too heavy to bend out into collar, make the diameter of the opening within 1/2" of the inside diameter of the collar.

Bull Head Tee — When making a bull head (or ball dog) tee installation, the collar usually furnished with the draft control can be attached to a piece of pipe (of the same size) to form a tee. However, the end of the tee which will receive the draft control collar must be as long as the standard draft control collar. See Fig. 3. Before inserting the ring into a bull head tee, read the instructions about vertical and horizontal flues and make the changes required for a horizontal flue. The ring of the draft control can be fastened to the end of the flue pipe by short stove bolts or sheet metal screws at the top and bottom of the ring. Be sure these screws do not interfere with the movement of the gate.

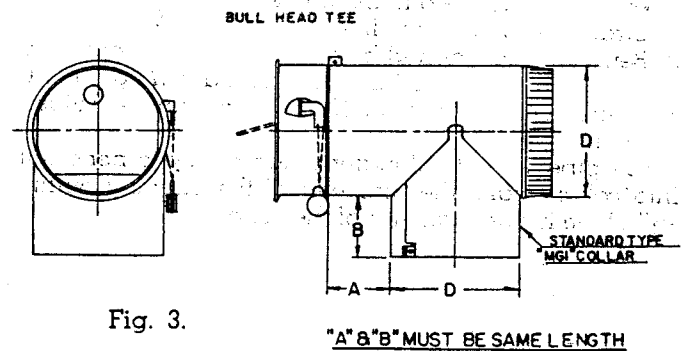


Fig. 3.

THE FIELD CONTROLS COMPANY
KINSTON, NC 28501