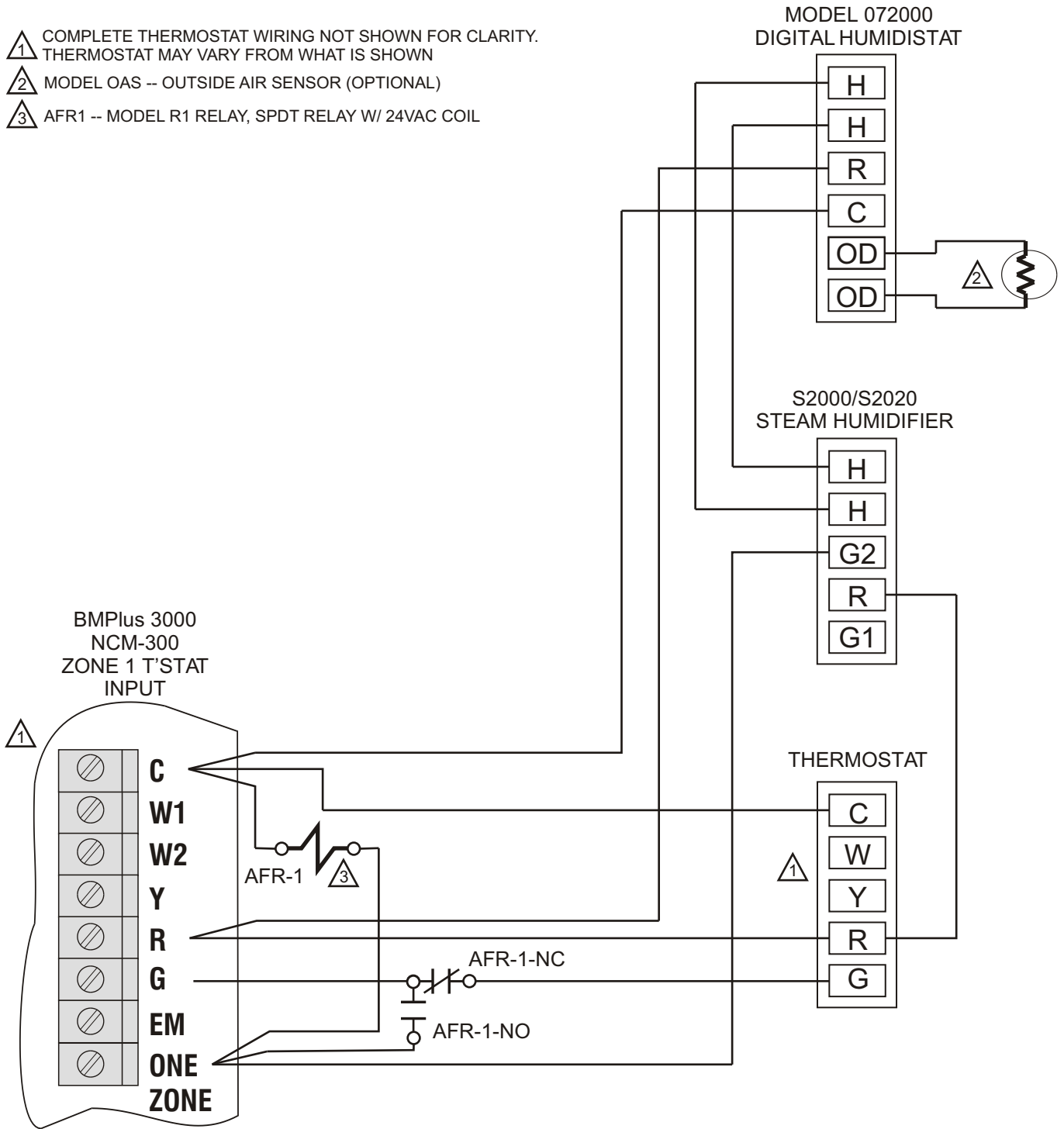


# WIRING DIAGRAM

- 1 COMPLETE THERMOSTAT WIRING NOT SHOWN FOR CLARITY. THERMOSTAT MAY VARY FROM WHAT IS SHOWN
- 2 MODEL OAS -- OUTSIDE AIR SENSOR (OPTIONAL)
- 3 AFR1 -- MODEL R1 RELAY, SPDT RELAY W/ 24VAC COIL



**FIELD CONTROLS**  
Kinston, NC 28504

DRAWING BY:  
**EDK**

DWG NAME: **MODEL S2000/S2020 -- WIRED w/  
ZONE PANEL T'STAT INPUT**

DATE:  
**12/10/04**

SIZE:  
**A**

REV:  
**A**

DWG NO:  
**090512A0105**

SHEET: **1 OF 1**

COPYRIGHT © FIELD CONTROLS INC.  
ALL RIGHTS RESERVED

DISCLAIMER: Field Controls Inc. Cannot be held liable for the use or misuse of this supplied information. It is the responsibility of the user to determine the suitability of the application. Malfunctions, improper operation, and/or subsequent damage to any related equipment or property damage as a result of using this supplied information is the responsibility of the user. Field Controls Inc. is not responsible for any misapplications including, but not limited to negligence, defect in products(s), system incompatibility, poor workmanship and/or installation.