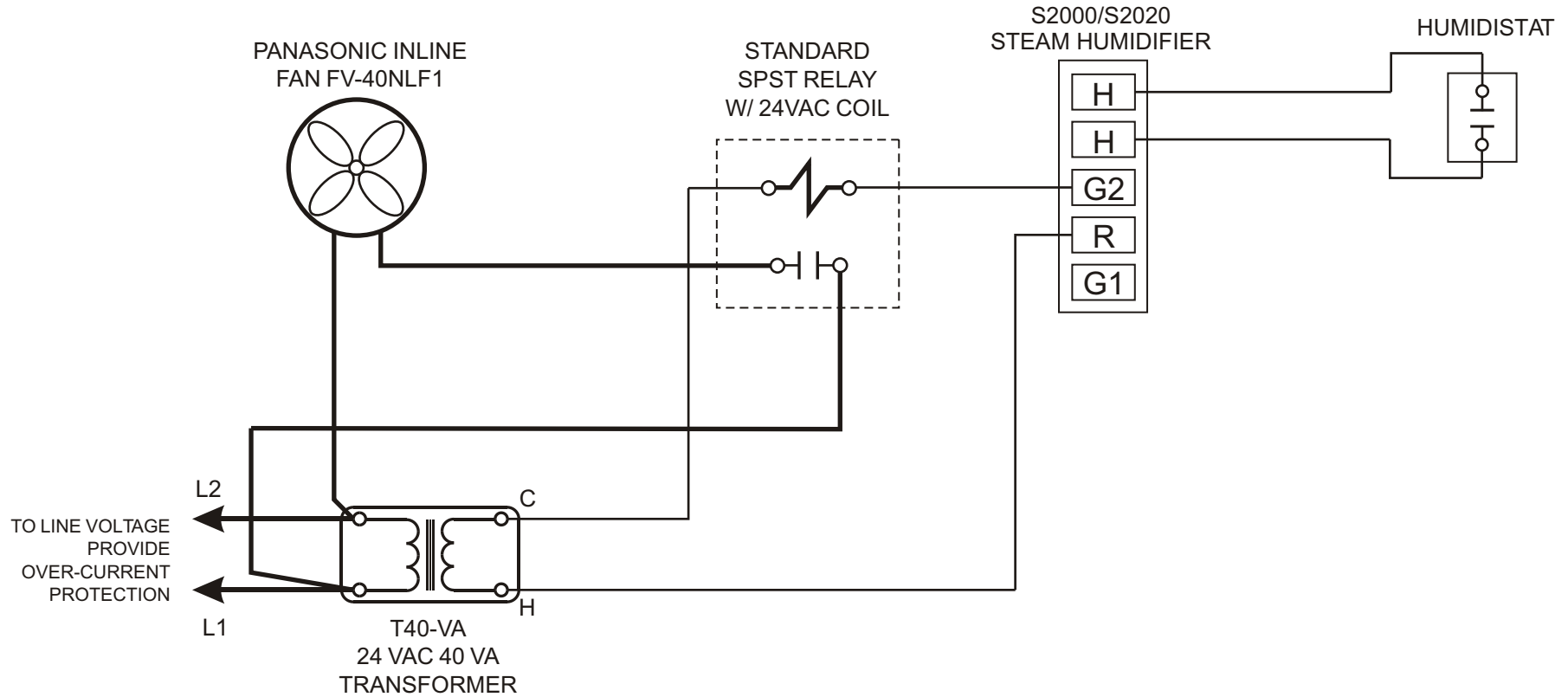


WIRING DIAGRAM



DRAWING BY:
EDK

DWG NAME: MODEL S2000/S2020 --
STAND ALONE APPLICATION

DATE:
01/20/05

SIZE:
A

REV:
A

DWG NO:
090512A0106

SHEET: 1 OF 1

COPYRIGHT © FIELD CONTROLS INC.
ALL RIGHTS RESERVED

DISCLAIMER: Field Controls Inc. Cannot be held liable for the use or misuse of this supplied information. It is the responsibility of the user to determine the suitability of the application. Malfunctions, improper operation, and/or subsequent damage to any related equipment or property damage as a result of using this supplied information is the responsibility of the user. Field Controls Inc. is not responsible for any misapplications including, but not limited to negligence, defect in products(s), system incompatibility, poor workmanship and/or installation.