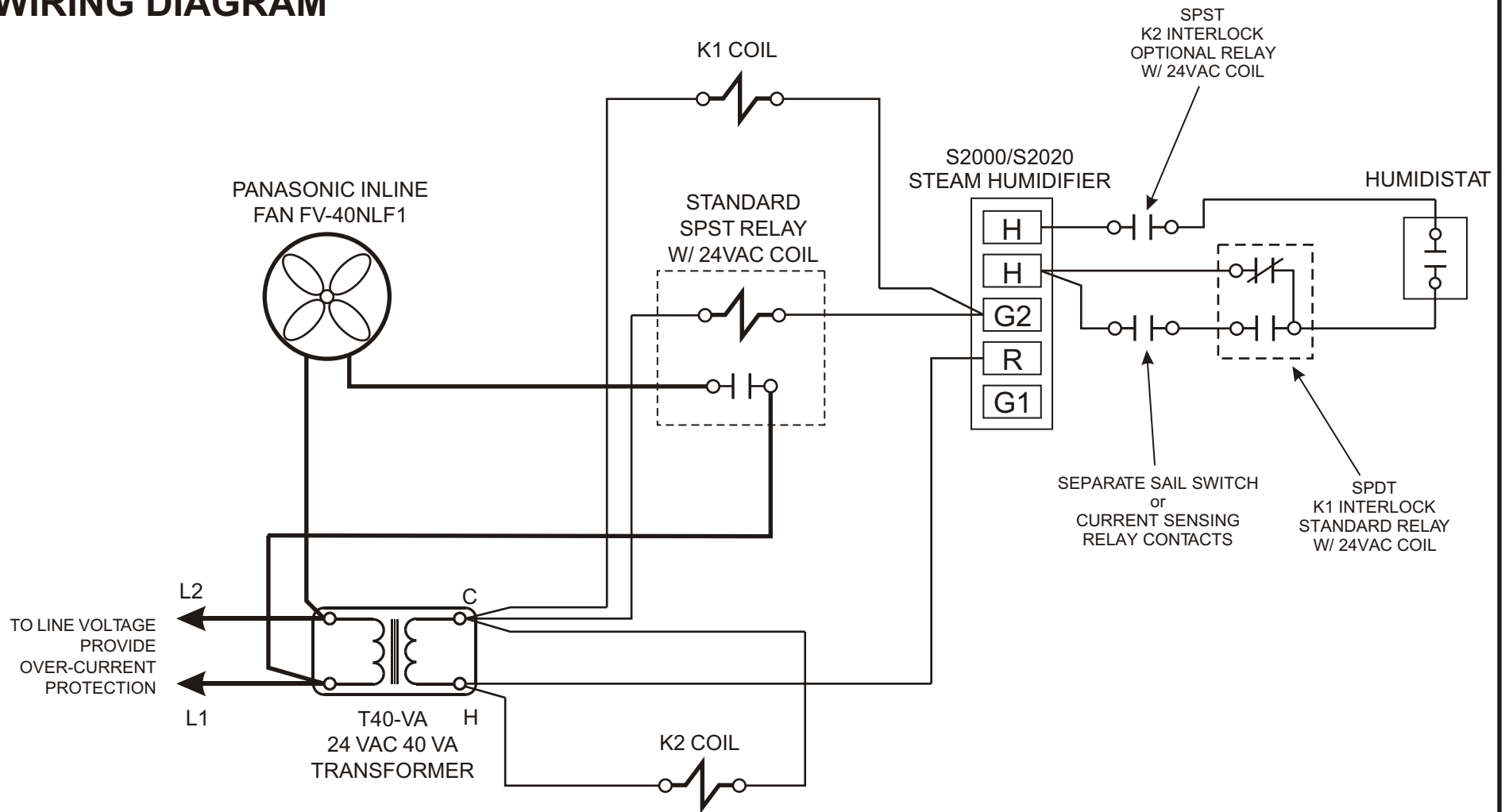



WIRING DIAGRAM



 FIELD CONTROLS Kinston, NC 28504	DRAWING BY: EDK	DWG NAME: MODEL S2000/S2020 -- STAND ALONE APPLICATION W/AIR FLOW PROVING	DATE: 01/20/05
	SIZE: A	REV: A	DWG NO: 090512A0107
	SHEET: 1 OF 1		COPYRIGHT © FIELD CONTROLS INC. ALL RIGHTS RESERVED

DISCLAIMER: Field Controls Inc. Cannot be held liable for the use or misuse of this supplied information. It is the responsibility of the user to determine the suitability of the application. Malfunctions, improper operation, and/or subsequent damage to any related equipment or property damage as a result of using this supplied information is the responsibility of the user. Field Controls Inc. is not responsible for any misapplications including, but not limited to negligence, defect in product(s), system incompatibility, poor workmanship and/or installation.