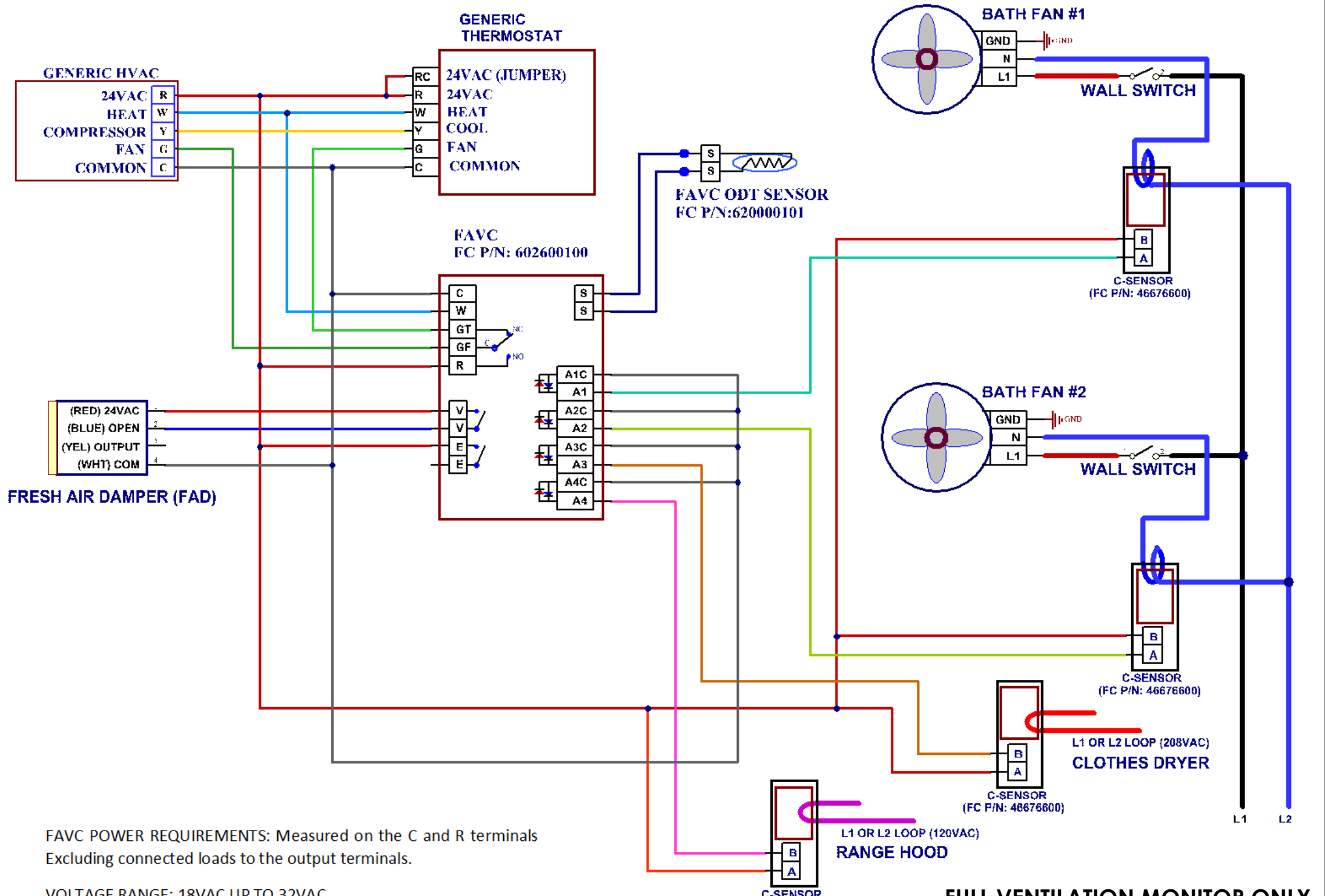


SYMBOL	DESCRIPTION
[K]	KEY DIMENSION
[C]	CRITICAL DIMENSION

ALL POWER RESOURCED FROM AIR HANDLER

NOTES:

1. GENERIC WIRE DIAGRAM OF FAVC TO CONVENTIONAL HVAC APPLIANCE. FAN WIRE FROM THERMOSTAT MUST BE CONNECTED DIRECTLY TO FAVC GT TERMINAL. GF TERMINAL MUST BE WIRED TO HVAC G TERMINAL. THIS WILL ALLOW FAVC TO OPERATE THE CENTRAL FAN WHEN THE THERMOSTAT IS IDLE.
2. WALL SWITCHES WHEN TURNED ON WILL OPERATE THE BATHROOM EXHAUST FAN. CURRENT THROUGH THE C-SENSOR WILL ACTIVATE THE MONITOR CIRCUIT FOR EACH BATH FAN INDEPENDENTLY. INDEPENDENT BATH FAN SETTINGS ARE PROVIDED TO ACCOUNT FOR DIFFERENCES IN THE FAN CFM RATINGS.
3. EXHAUST FAN CONTROL: DIP SWITCH #4 MUST BE TURNED OFF AS THERE IS NO RELAY TO CONTROL AN EXHAUST FAN CONNECTED TO THE "E" TERMINALS. AIR HANDLER FAN WILL BE USED TO CIRCULATE AIR DURING NORMAL SCHEDULED VENTILATION CYCLE.
4. RANGE HOOD AND CLOTHES DRYER MONITORING: THE FAVC HAS THE CAPABILITY TO ACCOUNT FOR EXHAUST AIR FROM A RANGE HOOD AND CLOTHES DRYER. WHEN SIGNAL IS APPLIED TO THE RANGE HOOD TERMINALS, THE FAVC WILL TURN ON ALL OUTPUTS (CENTRAL AIR HANDLER FAN, VENT, AND EXHAUST FAN). THE CLOTHES DRYER MONITOR CAN BE CONFIGURED TO CYCLE THE CENTRAL AIR HANDLER FAN (DIP SWITCH #3 WHEN TURNED ON), OR ONLY OPERATE THE VENT AS A PASSIVE FUNCTION (DIP SWITCH #3 TURNED OFF). FOR EXTENDED USE OF THE RANGE HOOD, THE FAVC WILL ACCOUNT FOR UP TO 8 HOURS AND POSTPONE THE NEXT VENTILATION CYCLE FOR UP TO 4 HOURS AFTER THE RANGE HOOD SIGNAL IS TERMINATED BY THE MONITORED APPLIANCE.
5. THE FAVC HAS BUILT IN PROTECTION FOR GAS AND OIL BURNING FURNACE PLENUMS THAT WILL PREVENT THE RETURN AIR FROM REACHING A CONDENSING CONDITION WITHIN THE FURNACE. THIS WILL ALSO PROTECT AGAINST FREEZE UP CONDITIONS IF THERE IS A HYDRONIC BACKUP HEAT EXCHANGER IN USE.
6. THE EXTERNAL TRANSFORMER MAY BE REQUIRED IF THE AIR HANDLER POWER SUPPLY DOES NOT HAVE ENOUGH OVERHEAD IN SUPPLIED VA RATING.



FAVC POWER REQUIREMENTS: Measured on the C and R terminals  
Excluding connected loads to the output terminals.

VOLTAGE RANGE: 18VAC UP TO 32VAC  
IDLE CHARACTERISTICS: 21mA, 0.3W, 0.57VA  
ALL OUTPUTS ACTIVE: 60mA, 1.1W, 1.6VA  
INPUT CURRENT: 5mA per circuit

FAD POWER REQUIREMENTS (TYPICAL)  
VOLTAGE RANGE: 20VAC UP TO 32VAC  
OPENING (DAMPER IN MOTION): 100mA, 2.3W  
HOLDING POWER: 73mA, 0.8W  
CLOSING (DAMPER IN MOTION): 100mA, 1.5W

**FULL VENTILATION MONITOR ONLY INSTALLATION**

 FIELD CONTROLS KINSTON, N.C. 28504 USA	<b>TOLERANCE (UNLESS NOTED)</b> FRACTIONAL: ± 1/32 ANGLES: ± 2° X.X DECIMAL: ± 0.050 X.XX DECIMAL: ± 0.010 X.XXX DECIMAL: ± 0.005	DESCRIPTION: <b>FAVC CONVENTIONAL HEAT/COOL</b>				
	ALL DIMENSIONS ARE IN INCHES UNLESS OTHERWISE SPECIFIED		P/N: 780300907	REV: B		
	ORIG ECO: 8651	REV ECO: 8666	SHEET: 1:1	DWN BY: EAH	DATE: 11/14/2016	APVD BY: MRL

THIS DOCUMENT IS THE PROPERTY OF FIELD CONTROLS LLC AND CONTAINS PROPRIETARY AND CONFIDENTIAL INFORMATION WHICH MUST NOT BE DUPLICATED, USED OR DISCLOSED WITHOUT THE EXPRESS AUTHORIZATION OF FIELD CONTROLS LLC.