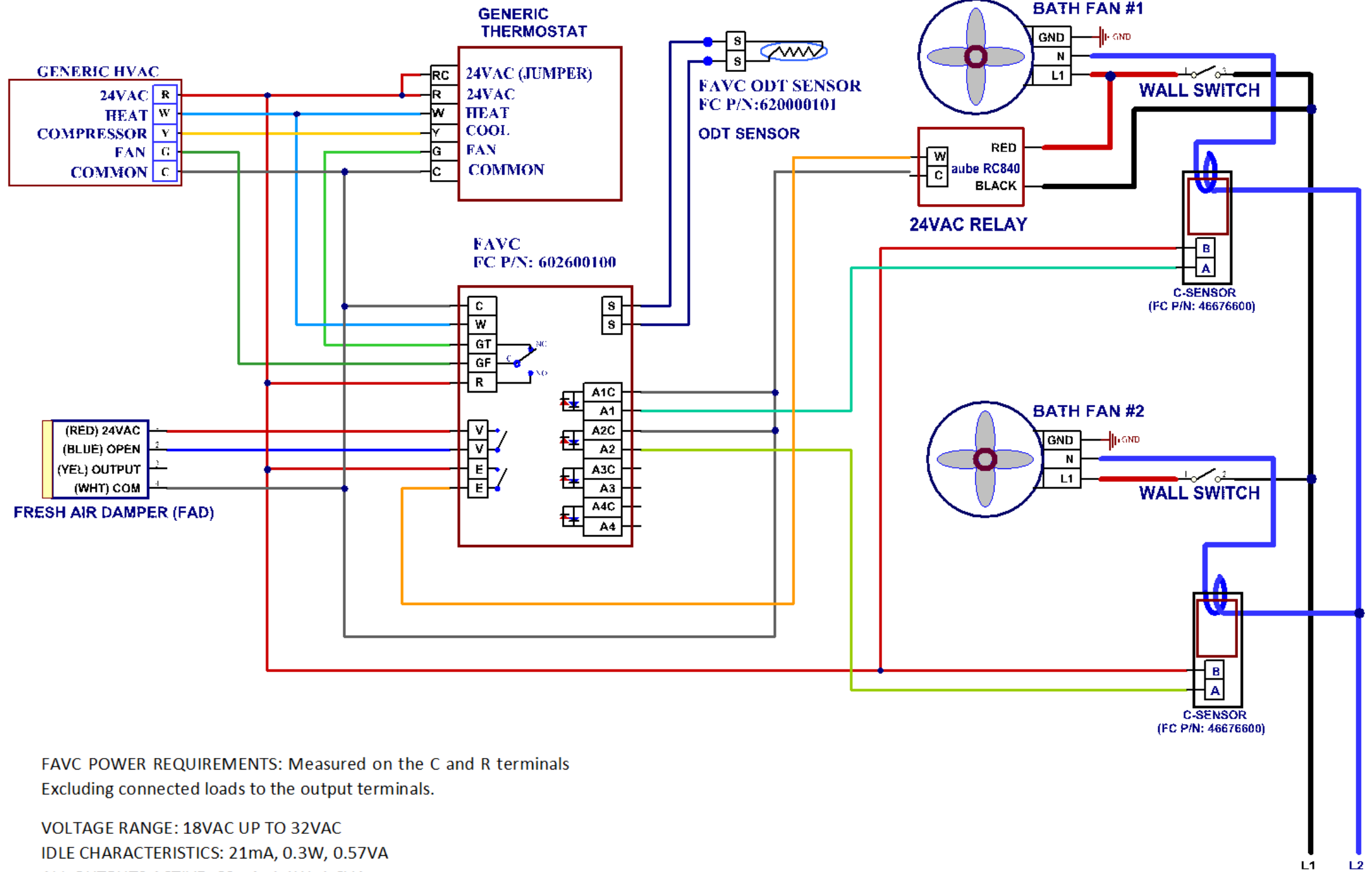


SYMBOL	DESCRIPTION
[K]	KEY DIMENSION
[C]	CRITICAL DIMENSION

ALL POWER RESOURCED FROM AIR HANDLER

NOTES:

1. GENERIC WIRE DIAGRAM OF FAVC TO CONVENTIONAL HVAC APPLIANCE. FAN WIRE FROM THERMOSTAT MUST BE CONNECTED DIRECTLY TO FAVC GT TERMINAL. GF TERMINAL MUST BE WIRED TO HVAC G TERMINAL. THIS WILL ALLOW FAVC TO OPERATE THE CENTRAL FAN WHEN THE THERMOSTAT IS IDLE.
2. WALL SWITCHES WHEN TURNED ON WILL OPERATE THE BATHROOM EXHAUST FAN. CURRENT THOUGH THE C-SENSOR WILL ACTIVATE THE MONITOR CIRCUIT FOR EACH BATH FAN INDEPENDENTLY. INDEPENDENT BATH FAN SETTINGS ARE PROVIDED TO ACCOUNT FOR DIFFERENCES IN THE FAN CFM RATINGS.
3. EXHAUST FAN CONTROL: ENERGY SAVING MODE, DIP SWITCH #4 MUST BE TURNED ON TO ACTIVATE THE ENERGY SAVING MODE FOR OPTIMAL PERFORMANCE. WHEN ACTIVATED, THE FAVC WILL MINIMIZE THE USE OF THE CENTRAL AIR HANDLER FAN AND USE THE BATH FAN (S) TO COMPLETE THE VENTILATION CYCLE. EVERY 4 HOURS, THE FAVC WILL TURN ON THE CENTRAL AIR HANDLER FAN TO ENSURE AIR CIRCULATION HAS OCCURRED IF THE THERMOSTAT REMAINS IDLE FOR AN EXTENDED PERIOD OF TIME.
4. THE FAVC HAS BUILT IN PROTECTION FOR GAS AND OIL BURNING FURNACE PLENUMS THAT WILL PREVENT THE RETURN AIR FROM REACHING A CONDENSING CONDITION WITHIN THE FURNACE. THIS WILL ALSO PROTECT AGAINST FREEZE UP CONDITIONS IF THERE IS A HYDRONIC BACKUP HEAT EXCHANGER IN USE.
5. THE EXTERNAL TRANSFORMER MAY BE REQUIRED IF THE AIR HANDLER POWER SUPPLY DOES NOT HAVE ENOUGH OVERHEAD IN SUPPLIED VA RATING.



FAVC POWER REQUIREMENTS: Measured on the C and R terminals  
Excluding connected loads to the output terminals.

VOLTAGE RANGE: 18VAC UP TO 32VAC  
IDLE CHARACTERISTICS: 21mA, 0.3W, 0.57VA  
ALL OUTPUTS ACTIVE: 60mA, 1.1W, 1.6VA  
INPUT CURRENT: 5mA per circuit

FAD POWER REQUIREMENTS (TYPICAL)  
VOLTAGE RANGE: 20VAC UP TO 32VAC  
OPENING (DAMPER IN MOTION): 100mA, 2.3W  
HOLDING POWER: 73mA, 0.8W  
CLOSING (DAMPER IN MOTION): 100mA, 1.5W

Aube RC840: (Honeywell Company)  
HOLDING POWER: 56mA, 1.5W

**DUAL BATH FAN VENTILATION MONITOR WITH SINGLE EXHAUST FAN CONTROL**

 KINSTON, N.C. 28504 USA	<b>TOLERANCE (UNLESS NOTED)</b> FRACTIONAL: ± 1/32 ANGLES: ± 2° X.X DECIMAL: ± 0.050 X.XX DECIMAL: ± 0.010 X.XXX DECIMAL: ± 0.005	DESCRIPTION: FAVC CONVENTIONAL HEAT/COOL		P/N: 780300909		REV: B			
		ALL DIMENSIONS ARE IN INCHES UNLESS OTHERWISE SPECIFIED				ORG ECO 8651 8666		SHEET 1:1	
		DWN BY: EAH		DATE: 11/14/2016		APVD BY: MRL		DATE: 10/03/2017	

THIS DOCUMENT IS THE PROPERTY OF FIELD CONTROLS LLC AND CONTAINS PROPRIETARY AND CONFIDENTIAL INFORMATION WHICH MUST NOT BE DUPLICATED, USED OR DISCLOSED WITHOUT THE EXPRESS AUTHORIZATION OF FIELD CONTROLS LLC.