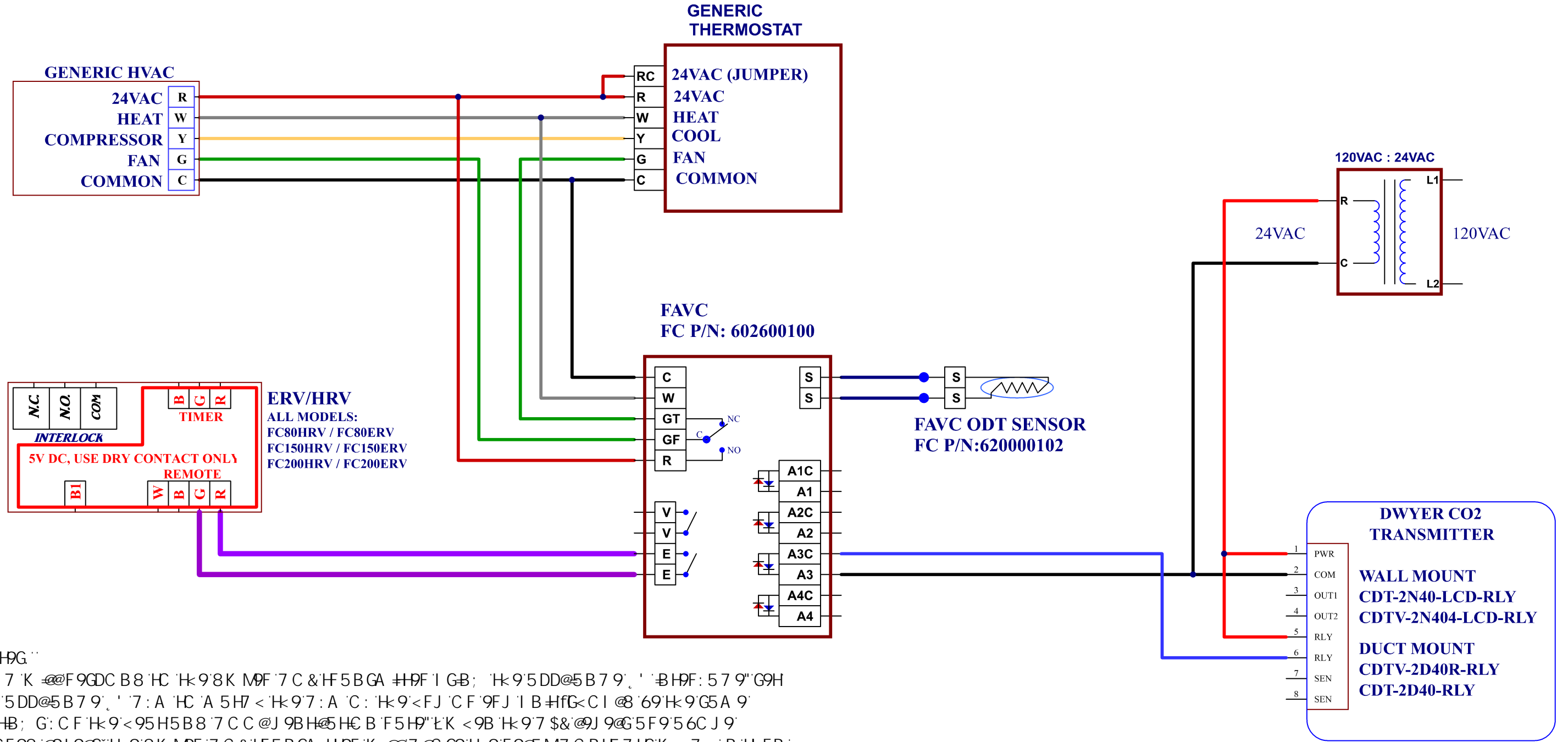


| | |
|---------|------------------|
| GVA 6C@ | 89G7F-DHC B |
| QO | ?9M8-A 9BGC B |
| QO | 7F#75@8-A 9BGC B |

| F9J -GCB H56@ | | | | |
|---------------|------------|--------|------------------------|-----|
| F9J " | 85H9 | 97 B | 89G7F-DHC B'C: 7<5B; 9 | 6M |
| 5 | (#?8/#8\$% | \$* +, | 8F5K B; 7F95H8 | 95< |



BC H9G
: 5J 7' K @F9GDC B8 'HC 'K9'8K M9F '7C & HF5BGA #H9F '1 GB; 'K9'5DD@5B79' ' 'B H9F: 579' G9H
K9'5DD@5B79' ' '7: A 'HC 'A 5H7 < 'K9'7: A 'C: 'K9' <FJ 'CF '9FJ '1 B #fG <C I @ '69'K9'G5A 9'
G9HB; G: CF 'K9' <95H5B8 '7CC @J9BH@5HC B 'F5H9' LK <9B 'K9'7 \$& @J 9@5F9'56C J 9'
89Gf98 '@J 9@G'K9'8K M9F '7C & HF5BGA #H9F 'K @7 @G9'K9'9F9@5M7 C BH57HG'K <7 <'B 'H FB'
K @: CF 79'K9: 5J7 'BHC 'J 9BH@5HC B 'A C 89''8 D'GK #7 <' 'G <C I @ '69'G9HC 'C B 'HC '9B56@
K9'7 9BH5@ <J57 : 5B 'HC '7 #71 @5H9'K9'5 # 'K #k B 'K9'C 771 D-98 'GD579''

78HAC 89@5F9: CF '7C & C B @M 78HJ 'A C 89@5F9: CF '7C & 5B8 'JC 7 "'8I 7HAC I BHMD9G'
8C 'BCH <5J 95B '@ 8 '8 GD@5M: CF '58 > GH; 'D5F5A 9H9FG'F9: 9F 'HC '8K M9F 'BGFI A 9BH; CF '
A C F9'89H5 @GCB 'K9'7C & G9BGC FGz 75 @6F5HC B '79FH# 75H9G5B8 '75 @6F5HC B 'A 9K C 8G' #'
79FH# 75H9C: '75 @6F5HC B 'GF9E I #98z588 'K9'17C7 'HC 'K9'9B8'C: 'K9'8K M9F 'D5FH
BI A 69F "'K G 'BGH5 @5HC B 'F9E I #9G'K5HHK9'7C & <5G'K9'C DHC B5 @F9@5M BGH5 @98''

| | | | | | |
|-----------------------|--|----------------------------------|--|--|--|
| FIELD CONTROLS | | HC@F5B79 #1 B @GGBCH8L | | 89G7F-DHC B | |
| ?BGC BzB"7 | | : F57HC B5@ -%# & | | 8K M9F '7C & HF5BGA #H9F : CF '5E | |
| &) \$(| | 5B; @G -&S | | : 5J7 '5B8 : 7 LLL9FJ #: 7 LLL <FJ | |
| I G5 | | L'L '897 -A5@'' - '\$')\$ | | 5@8-A 9BGC BG5F9' D#B. | |
| | | L'LL '897 -A5@'' - '\$')\$ | | + , '\$' \$\$- %% | |
| | | L'LLL '897 -A5@ - '\$')\$ | | F9J. 5 | |
| | | L'LL '897 -A5@ - '\$')\$ | | CF# F9J G-99H 8K B'6M 85H9: 5DJ 8'6M 85H9: | |
| | | L'LL '897 -A5@ - '\$')\$ | | % % | |
| | | L'LL '897 -A5@ - '\$')\$ | | T US | |
| | | L'LL '897 -A5@ - '\$')\$ | | E #FDFJ | |
| | | L'LL '897 -A5@ - '\$')\$ | | | |

VP @UOWT O PVA P O A U U U O V V A U A O S O A O U P V U U S U S S O A P O A O U P V O P U A U U U O V V A U A O S O A O U P V U U S U S S O E
T W U V U V O O A W U S O C E O O B W U O O A U A O S U U O O A Q P U W W A P O O Y U U O U A C B W P U U A O C B W P A U A O S O A O U P V U U S U S S O E