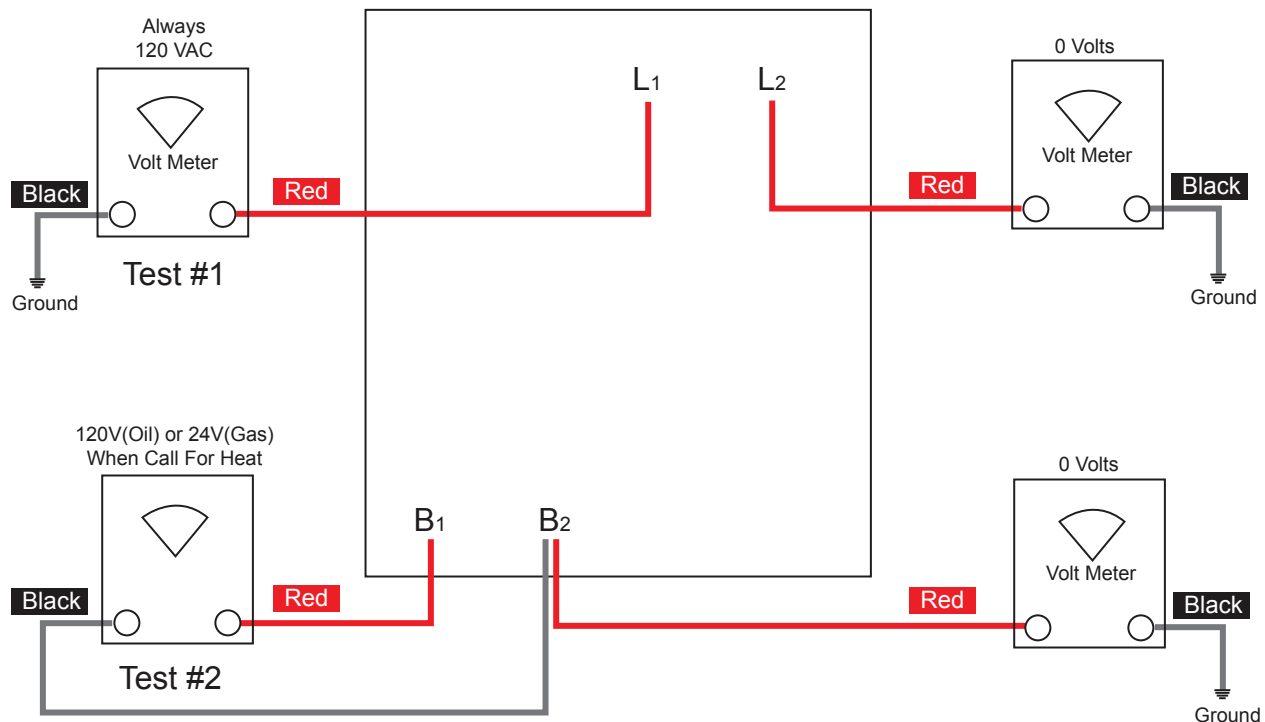


Wiring Diagrams

Aquastat Relay Check Out



1. Using your meter, check voltage between L1 and ground. You should have 120 volts all the time. If you do not have 120 volts all the time, the wiring is wrong or your breaker is off.
2. Using your meter, check voltage between B1 and B2. You should have 120 volts (oil) or 24V (gas) when there is a call for heat. If you do not have 120 volts (oil) or 24V (gas) when there is a call for heat, you have a bad aquastat or thermostat.