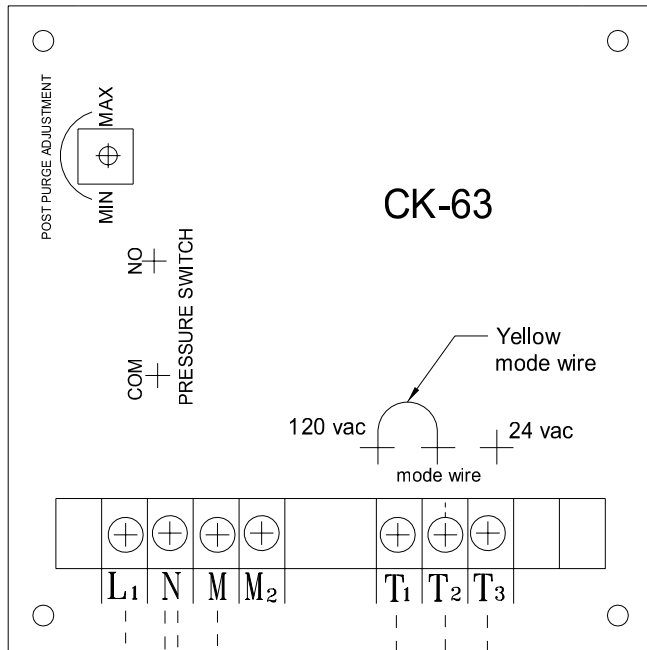
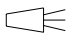


HONEYWELL R7184B & CARLIN 60200-02



- - - - - New wire supplied by installer
-  Solderless connector (wire nut)
- L1 is 120V
- N is 120V Neutral
- M is 120V if the motor is running
- T1 is 120V if there is a call for heat
- T2 is 120V Neutral
- T3 is 120V if there is a call for heat

DRAFT INDUCER
OR
POWER VENTER

