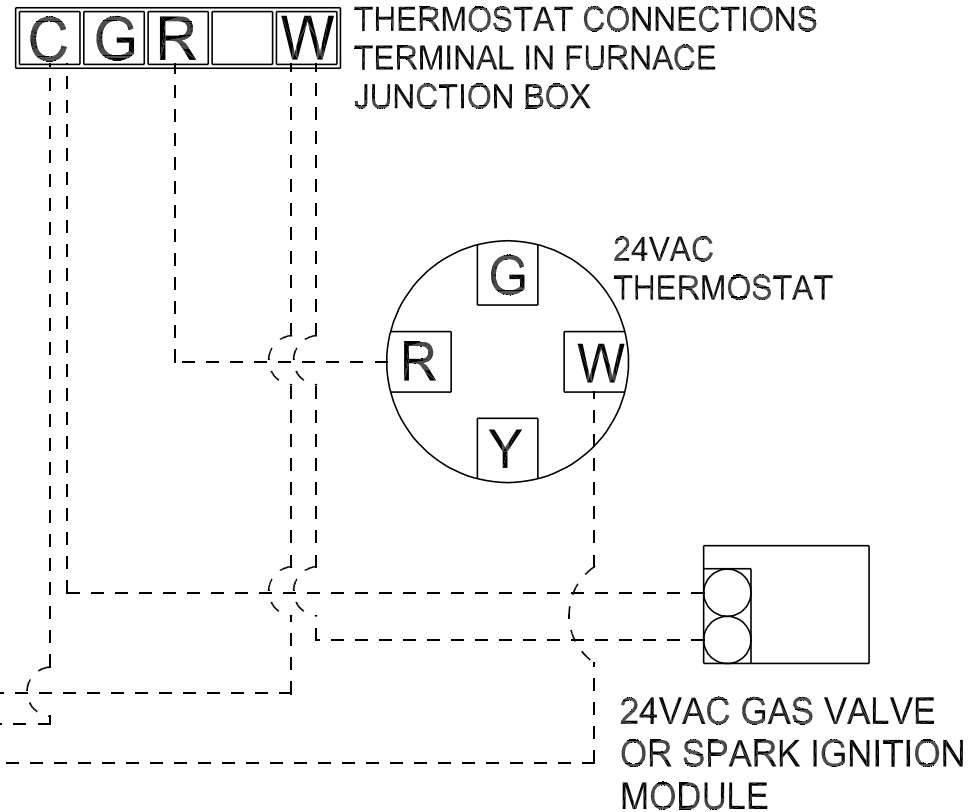
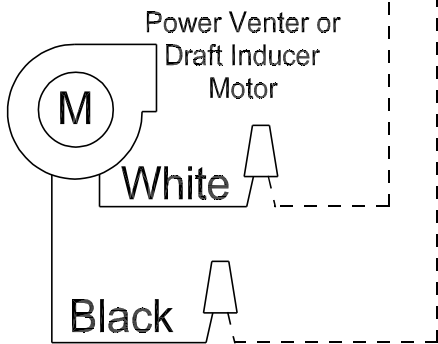


*L₁ 120VAC
*L₂ 60HZ



 Solderless connector (wire nut)

WARNING: Reversed polarity may cause equipment damage!