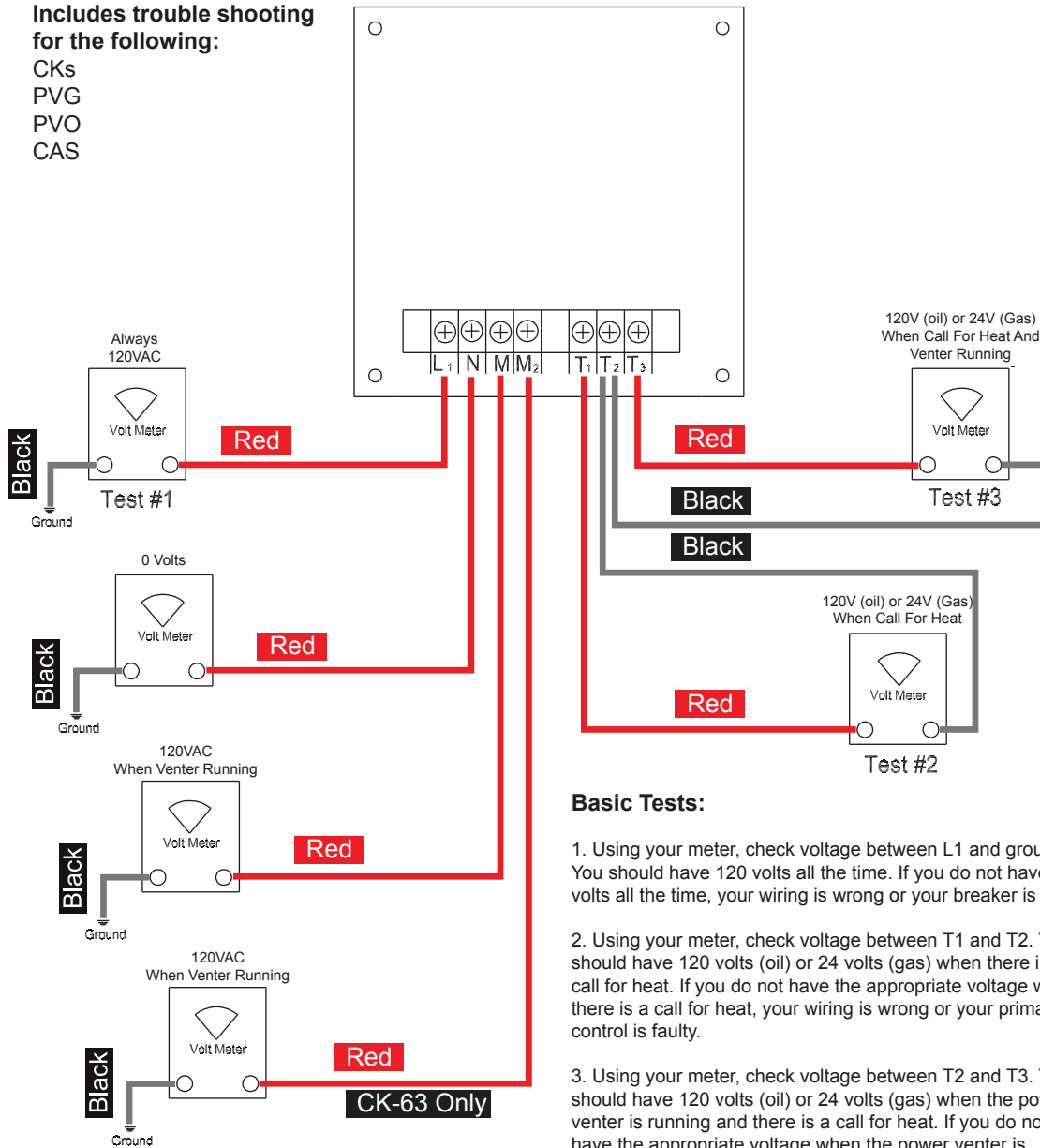


Wiring Diagrams

CK-63 Wiring Check-Out Sheet Standard Set-Up

Includes trouble shooting for the following:

CKs
PVG
PVO
CAS



Basic Tests:

1. Using your meter, check voltage between L1 and ground. You should have 120 volts all the time. If you do not have 120 volts all the time, your wiring is wrong or your breaker is off.
2. Using your meter, check voltage between T1 and T2. You should have 120 volts (oil) or 24 volts (gas) when there is a call for heat. If you do not have the appropriate voltage when there is a call for heat, your wiring is wrong or your primary control is faulty.
3. Using your meter, check voltage between T2 and T3. You should have 120 volts (oil) or 24 volts (gas) when the power venter is running and there is a call for heat. If you do not have the appropriate voltage when the power venter is running and there is a call for heat, the pressure switch is not closing or is defective: perform the pressure switch adjustment procedure; if the switch will not close, check the sensing tube and tube connections.