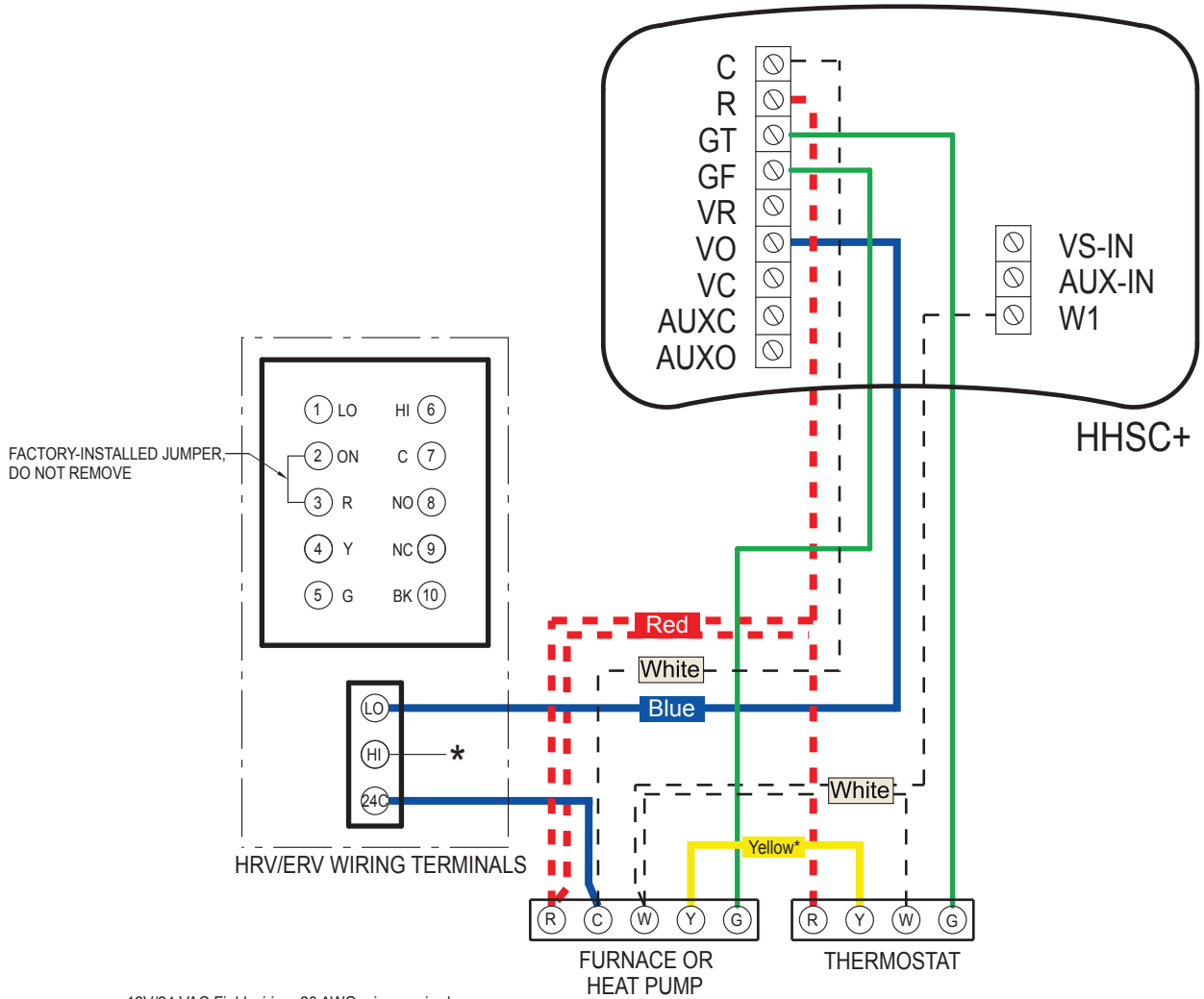


HHSC+ VENTILATION CONTROL (HRV/ERV)



————— 12V/24 VAC Field wiring, 20 AWG min. required.

* V Terminal on the HHSC Control may be connected to the Hi Terminal (instead of Lo) if shorter ventilation periods are desired.