

ENGINEERING DATA - SUBMITTAL



SUMMIT™ S-Class
Series

VentCool™ Summit S-Class S2, S3, S4, S5 Models



MODEL PART NUMBER

- VentCool S2 602603102
- VentCool S3 602603103
- VentCool S4 602603104
- VentCool S5 602603105

ITEMS INCLUDED

- Fan assembly with fan control module (FC3JF) prewired
- 7 feet of acoustically insulated flexduct
- Gravity damper assembly
- NEW Digital Wall Timer Temperature & Speed Control with 50ft RJ12 Cable
- Duct Adapter Assembly (as required)
- White cube core inlet grille with fasteners
- Instruction manual
- Installation hardware

ELECTRICAL REQUIREMENTS

VentCool Models	Dedicated Circuit (Amps)	Voltage	Watts	Motor HP
S2	15	120v	210	1/3
S3	15	120v	204	1/3
S4	15	120v	383	1/2
S5	15	120v	658	3/4

OPTIONAL ACCESSORIES

- Additional RJ12 50ft Cable 580011550
- Connector, F2F RJ12 Straight 580011503
- Remote Control Kit 580011704

DESCRIPTION

VentCool Whole House Fans are mechanical ventilation cooling systems. The occupant-controlled system allows for low temperature outdoor air to be introduced in a home or building through open windows. The indoor air is circulated to cool the living space and exhausted into the attic where it is then vented to the outdoors. Outdoor air will warm relative to the indoor temperature and the low energy ventilation cooling fan is disengaged and windows closed.

FEATURES

- Reduce or eliminate need for compressor-based cooling
- Galvanized Steel fan housing Speed Control
- (2) 7 feet of Acoustical Silencer Insulated Flex Duct
- AirLoc™ R-5 Gravity Damper
- 20 ft Power Cord with NEMA 5-15 Plug
- Electronically Commutated Motor (ECM)
- Digital Wall Mount 3-Speed Control
- Controlled by Timer or Temperature
- 120VAC, 15 Amp Power, dedicated circuit
- Plaster guard (PG)

PRODUCT OFFERING

Model	Summit Series S-Class with AirLoc™ Gravity Damper												
	Fan Airflow (GROSS) CFM	HVI-916 std. Title 24 (NET) CFM	Watts	Efficacy CFM per Watts	Efficiency Watts per CFM	Sound Level (dBA) @ 5 Ft	Speed Control Timer	Acoustical Silencer Duct	Rough Opening (inches)	Grille Dimensional (Inches)	Damper Blade R-Value	Attic Venting* (Sq. Ft.)	Open Window^ (Sq. Ft.)
	Sizing 2cfm/sqft	Sizing 1.5cfm/sqft											
VentCool-S2	2576	2,078	210.4	9.87	0.101	54	3 spd/12 hr	16 in x 7 ft	14.25x22.25	16x24	R-5	4.16	8.31
VentCool-S3	2740	2,210	203.6	10.85	0.092	53	3 spd/12 hr	18 in x 7 ft	14.25x22.25	16x24	R-5	4.42	8.84
VentCool-S4	4522	3,647	383.3	9.51	0.105	56	3 spd/12 hr	20 in x 7 ft	14.25x30.25	16x32	R-5	7.29	14.59
VentCool-S5	5224	4,213	657.9	6.40	0.156	61	3 spd/12 hr	20 in x 7 ft	14.25x30.25	16x32	R-5	8.43	16.85

Static Pressure ("WC)	Ventcool Summit S2					
	Air Flow (CFM)			Motor Power (Watts)		
	High Speed	Med Speed	Low Speed	High Speed	Med Speed	Low Speed
-0.001	2078	1817	1370	210	148	102
0.00	2075	1813	1364	211	148	102
0.02	2020	1736	1234	212	150	105
0.04	1962	1654	1096	214	151	109
0.06	1901	1569	949	216	153	113
0.08	1837	1480	792	218	156	120
0.10	1770	1387	627	220	159	129
0.12	1700	1290	454	222	164	140
0.14	1626	1190	271	224	170	157

Static Pressure ("WC)	Ventcool Summit S3					
	Air Flow (CFM)			Motor Power (Watts)		
	High Speed	Med Speed	Low Speed	High Speed	Med Speed	Low Speed
-0.001	2210	1858	1390	204	146	98
0.00	2207	1854	1385	204	146	98
0.02	2146	1771	1275	206	148	100
0.04	2080	1683	1163	208	150	103
0.06	2011	1591	1049	210	152	108
0.08	1936	1495	934	212	154	113
0.10	1856	1396	817	214	158	121
0.12	1771	1294	701	217	162	130
0.14	1680	1188	585	220	167	142

Static Pressure ("WC)	Ventcool Summit S4					
	Air Flow (CFM)			Motor Power (Watts)		
	High Speed	Med Speed	Low Speed	High Speed	Med Speed	Low Speed
-0.001	3647	2934	2573	383	271	182
0.00	3644	2931	2569	384	271	182
0.02	3572	2863	2485	389	275	185
0.04	3494	2793	2394	394	279	189
0.06	3409	2723	2295	399	282	192
0.08	3318	2650	2187	404	286	195
0.10	3219	2577	2069	409	290	199
0.12	3112	2503	1941	414	293	202
0.14	2996	2428	1802	418	297	205

Static Pressure ("WC)	Ventcool Summit S5					
	Air Flow (CFM)			Motor Power (Watts)		
	High Speed	Med Speed	Low Speed	High Speed	Med Speed	Low Speed
-0.001	4213	3719	3170	658	462	294
0.00	4209	3715	3166	658	462	294
0.02	4142	3639	3079	662	466	297
0.04	4074	3560	2988	666	470	300
0.06	4004	3480	2895	670	474	303
0.08	3933	3398	2800	674	478	306
0.10	3860	3315	2702	678	482	308
0.12	3787	3231	2601	681	485	311
0.14	3715	3146	2498	685	489	312



Field Controls
2630 Airport Road
Kinston, NC 28504

Field Controls
9154 Stellar Court
Corona, CA 92883

252 522-3031
Fax: 1 (800) 367-7942

951-277-0304

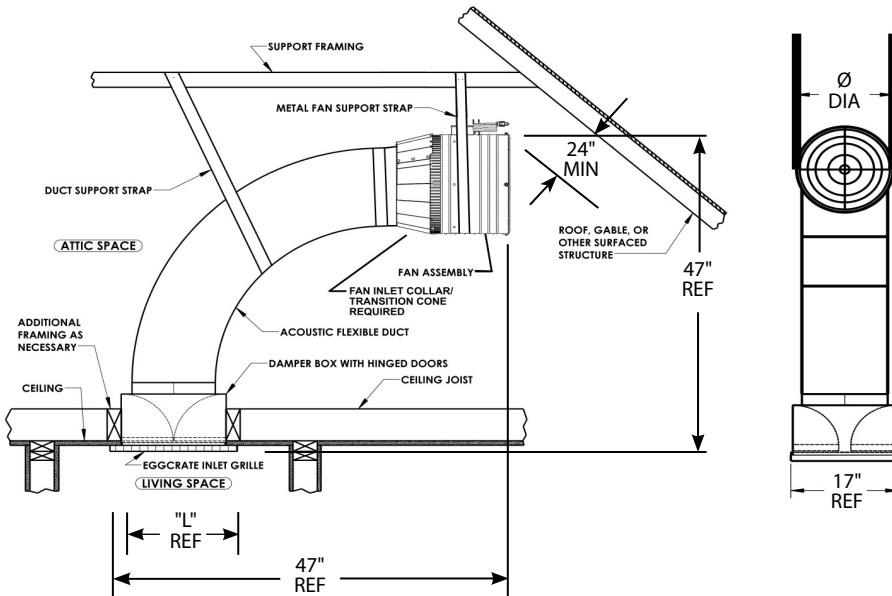
Visit us at: www.fieldcontrols.com

Field Controls LLC reserves the right to modify a product, without prior notice, whether in design, color or specifications, in order to offer at all times a quality product that is highly competitive. Please consult your national and local building codes to find out whether the installation of electrical products requires the services of a certified technician or electrician. Field Controls and VentCool™ are registered Trademarks used under license by Field Controls LLC. All rights reserved.

ENGINEERING DATA - SUBMITTAL

DIMENSIONAL DATA

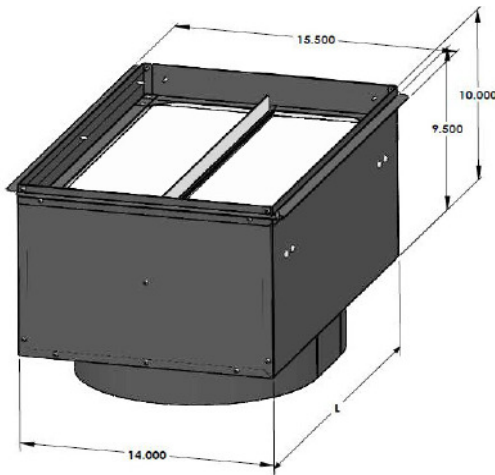
(TYPICAL INSTALLATION - VENTCOOL SUMMIT SERIES)



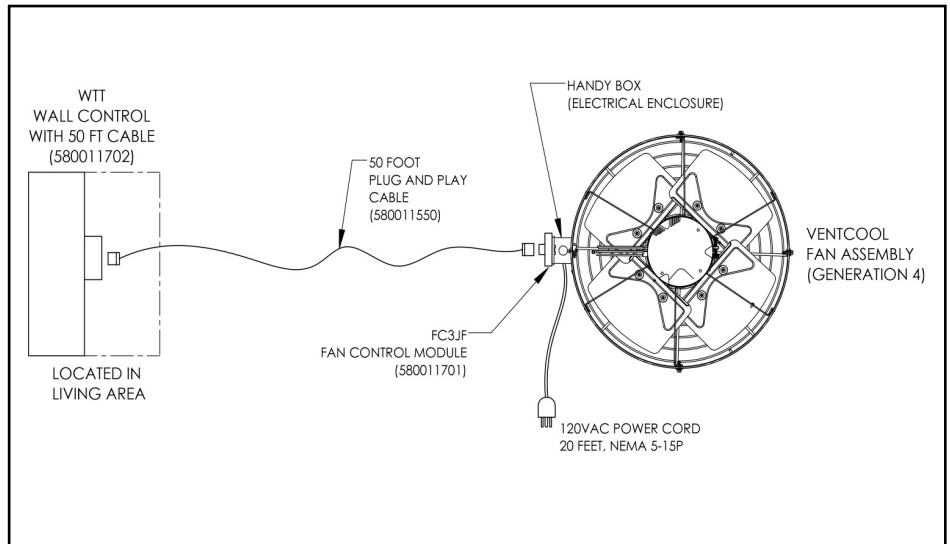
VentCool Models	Dimension (in inches)	
	L	DIA
VentCool S2	22	18
VentCool S3	22	18
VentCool S4	30	20
VentCool S5	30	22

- NOTE:
- 17" measurement includes flanged dimensions
 - 47" measurements are dependent on bend radius. Duct supplied is 7 feet in length.

DAMPER DIMENSIONAL DATA



WIRING



WIRING DIAGRAM:
INTERCONNECTION CABLE CONTROL DIAGRAM FOR SUMMIT S2 THROUGH S5 MODELS

PROJECT INFORMATION

Quoted by:	Date:
Project:	Remarks:
Quantity:	
Model:	
Site:	
Architect:	
Engineer:	
Contractor:	



Field Controls
2630 Airport Road
Kinston, NC 28504

Field Controls
9154 Stellar Court
Corona, CA 92883

252 522-3031
Fax: 1 (800) 367-7942

951-277-0304

Visit us at: www.fieldcontrols.com