

ENGINEERING DATA VENTCOOL TAHOE SERIES



VentCool Tahoe Series

VentCool™ T2, T3, T4, T5 Whole House Fan



MODEL PART NUMBER

- VentCool T2 602601026
- VentCool T3 602601036
- VentCool T4 602601046
- VentCool T5 602601056

ITEMS INCLUDED IN KIT

- Fan assembly with electrical conduit box
- 7 feet of acoustically insulated flexduct
- Gravity damper assembly
- Duct Adapter Assembly (as required)
- White cube core inlet grille with fasteners
- Control Package including: 8-hour electronic timer and 1 or 2 speed switch
- Instruction manual
- Installation hardware

ELECTRICAL REQUIREMENTS

VentCool Models	Dedicated Circuit (Amps)	Voltage	Watts	Motor HP
T2	15	120v	279	1/3
T3	15	120v	341	1/3
T4	15	120v	667	1/2
T5	15	120v	781	1/2

OPTIONAL ACCESSORIES

- WiFi Control Kit 602601016
- Temperature Remote Control 602601026

DESCRIPTION

VentCool Whole House Fans are mechanical ventilation cooling systems. The occupant-controlled system allows for low temperature outdoor air to be introduced in a home or building through open windows. The indoor air is circulated to cool the living space and exhausted into the attic where it is then vented to the outdoors. Outdoor air will warm relative to the indoor temperature and the low energy ventilation cooling fan is disengaged and windows closed.

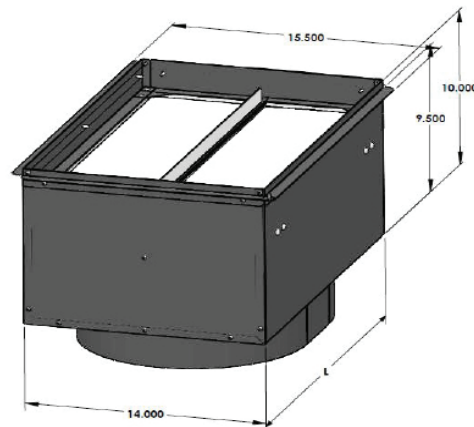
FEATURES

- CA Title 24 Listed
- Galvanized Steel fan housing
- Wall mounted electrical controls (time and fan speed)
- 7 feet of insulated, noise reducing flexduct
- Gravity damper
- All models designed to plug into 120 VAC, 15 amp, dedicated power, standard wall outlet or directly hard-wired to supplied wall-mount controls
- Removable plaster guards
- Dramatic energy savings
- Permanent Split Capacitor (PSC) motors
- Ultra-quiet operation
- Convenient timer settings
- Easy installation
- Heavy Gauge Material

PRODUCT OFFERING

Tahoe Series with AirLoc™ Gravity Damper													
Model	Fan Airflow (GROSS) CFM	HVI-916 std. CA Title 24 (NET) CFM	Watts	CFM per Watts	Watts per CFM	Sound Level (dBA)	Speed Control Timer	Acoustical Silencer Duct	Rough Opening (inches)	Grille Size (Inch x Inch)	Damper Blade R-Value	Attic Venting (sq ft)	Open Window (sq ft)
	Sizing 2 cfm/sqft	Sizing 1.5 cfm/sqft											
VentCool T2	2369	1932	295	6.55	.15	54	2spd/8hr	16" x 7ft	14.25x22.25	16 X 24	R-5	3.9	7.7
VentCool T3	3339	2759	350	7.88	.13	53	2spd/8hr	18" x 7ft	14.25x22.25	16 X 24	R-5	5.5	11.0
VentCool T4	4590	3640	430	8.47	.12	56	2spd/8hr	20" x 7ft	14.25x30.25	16 X 32	R-5	7.3	14.6
VentCool T5	5902	4123	630	6.54	.15	59	2spd/8hr	20" x 7ft	14.25x30.25	16 X 32	R-5	8.2	16.5

DIMENSIONAL DATA



Field Controls
2630 Airport Road
Kinston, NC 28504

Field Controls
9154 Stellar Court
Corona, CA 92883

252 522-3031
Fax: 1 (800) 367-7942

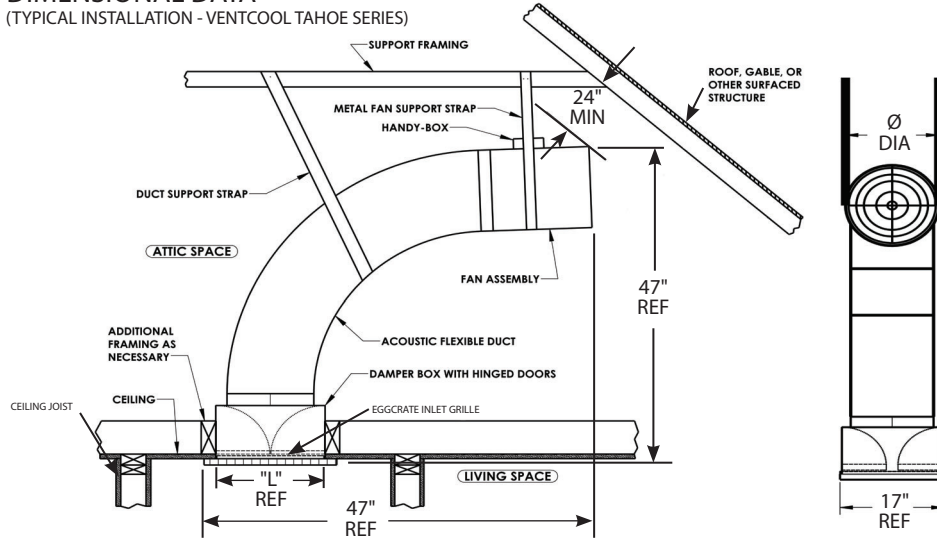
951-277-0304

Visit us at: www.fieldcontrols.com

Field Controls LLC reserves the right to modify a product, without prior notice, whether in design, color or specifications, in order to offer at all times a quality product that is highly competitive. Please consult your national and local building codes to find out whether the installation of electrical products requires the services of a certified technician or electrician. Field Controls and VentCool™ are registered Trademarks used under license by Field Controls LLC. All rights reserved.

ENGINEERING DATA VENTCOOL TAHOE SERIES

DIMENSIONAL DATA (TYPICAL INSTALLATION - VENTCOOL TAHOE SERIES)



VentCool Models	Dimension (in inches)	
	L	DIA
VentCool T2	22	18
VentCool T3	22	18
VentCool T4	30	20
VentCool T5	30	22

NOTE: 1. 17" measurement includes flanged dimensions
2. 47" measurements are dependent on bend radius. Duct supplied is 7 feet in length.

Diagram A:
HARDWIRED
FOR
T2-T5 ONLY
WITH
2 SPEED
OPERATION

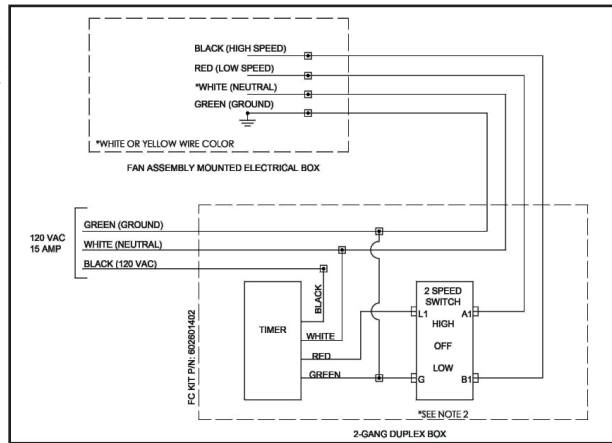


Diagram B:
POWER
CORD FOR
T2-T5 ONLY
WITH
2 SPEED
SWITCH
FOR SINGLE
SPEED
OPERATION

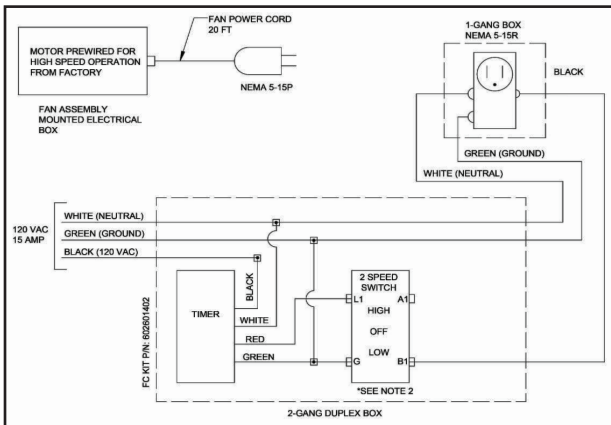
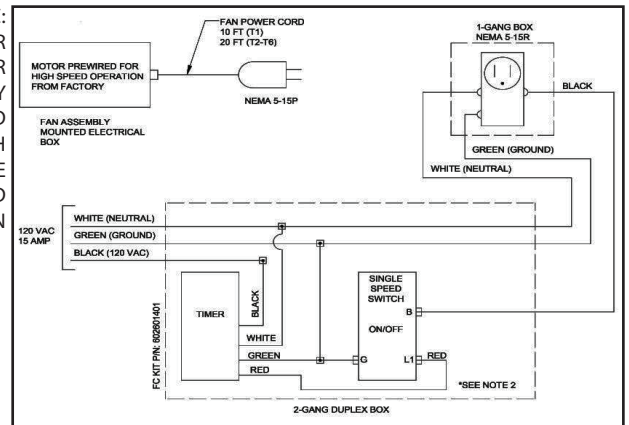


Diagram C:
POWER
CORD FOR
T2-T5 ONLY
WITH 1 SPEED
SWITCH
FOR SINGLE
SPEED
OPERATION



PROJECT INFORMATION

Quoted by:	Date:
Project:	Remarks:
Quantity:	
Model:	
Site:	
Architect:	
Engineer:	
Contractor:	



Field Controls
2630 Airport Road
Kinston, NC 28504

Field Controls
9154 Stellar Court
Corona, CA 92883

252 522-3031
Fax: 1 (800) 367-7942

951-277-0304

Visit us at: www.fieldcontrols.com