

ENGINEERING DATA VENTCOOL TAHOE SERIES



VentCool Tahoe Series VentCool™ T6.5 Whole House Fan



MODEL PART NUMBER

VentCool T6.5 602601066

ITEMS INCLUDED IN KIT

- 2 - Fan assembly with electrical conduit box
- 2 - 7 foot sections of acoustically insulated flexduct
- Gravity damper assembly
- 2 - Duct Adapter Assembly
- White cube core inlet grille with fasteners
- Control Package including: 8-hour electronic timer and 4 speed switch
- Instruction manual
- Installation hardware

ELECTRICAL REQUIREMENTS

VentCool Models	Dedicated Circuit (Amps)	Voltage	Watts	Motor HP
T6.5	15	120v	857	1/3 (2X)

OPTIONAL ACCESSORIES

- WiFi Control Kit 602601016
- Temperature Remote Control 602601026

DESCRIPTION

VentCool Whole House Fans are mechanical ventilation cooling systems. The occupant-controlled system allows for low temperature outdoor air to be introduced in a home or building through open windows. The indoor air is circulated to cool the living space and exhausted into the attic where it is then vented to the outdoors. Outdoor air will warm relative to the indoor temperature and the low energy ventilation cooling fan is disengaged and windows closed.

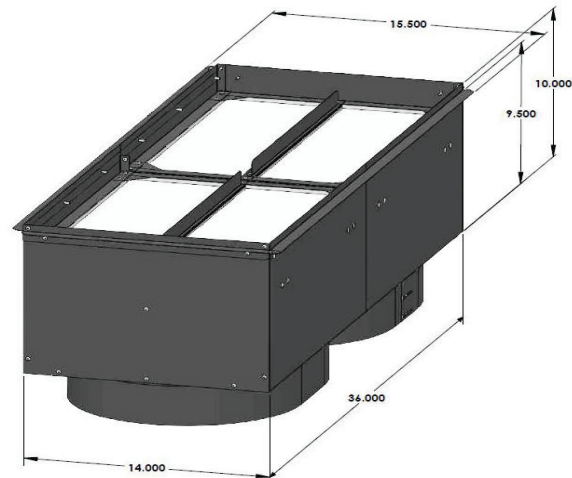
FEATURES

- CA Title 24 Listed
- Galvanized Steel fan housing
- 4-speed Wall mounted electrical controls (time and fan speed)
- 14 feet (2 - 7 feet each) of insulated, noise reducing flexduct
- Gravity damper
- All models designed to plug into 120 VAC, 15 amp, dedicated power, standard wall outlet or directly hard-wired to supplied wall-mount controls
- Removable plaster guards
- Dramatic energy savings
- Permanent Split Capacitor (PSC) motors
- Ultra-quiet operation
- Convenient timer settings
- Easy installation
- Heavy Gauge Material

PRODUCT OFFERING

Tahoe Series with AirLoc™ Gravity Damper													
Model	Fan Airflow (GROSS) CFM	HVI-916 std. CA Title 24 (NET) CFM	Watts	CFM per Watts	Watts per CFM	Sound Level (dBA)	Speed Control Timer	Acoustical Silencer Duct	Rough Opening (inches)	Grille Size (Inch x Inch)	Damper Blade R-Value	Attic Venting (sq ft)	Open Window (sq ft)
	Sizing 2 cfm/sqft	Sizing 1.5 cfm/sqft											
VentCool T6.5	5951	4631	778	5.95	.17	60	4spd Dual Fan	(2) 18"x 7ft	14.25x36.25	16 X 38	R-5	9.3	18.5

DIMENSIONAL DATA



Field Controls
2630 Airport Road
Kinston, NC 28504

Field Controls
9154 Stellar Court
Corona, CA 92883

252 522-3031
Fax: 1 (800) 367-7942

951-277-0304

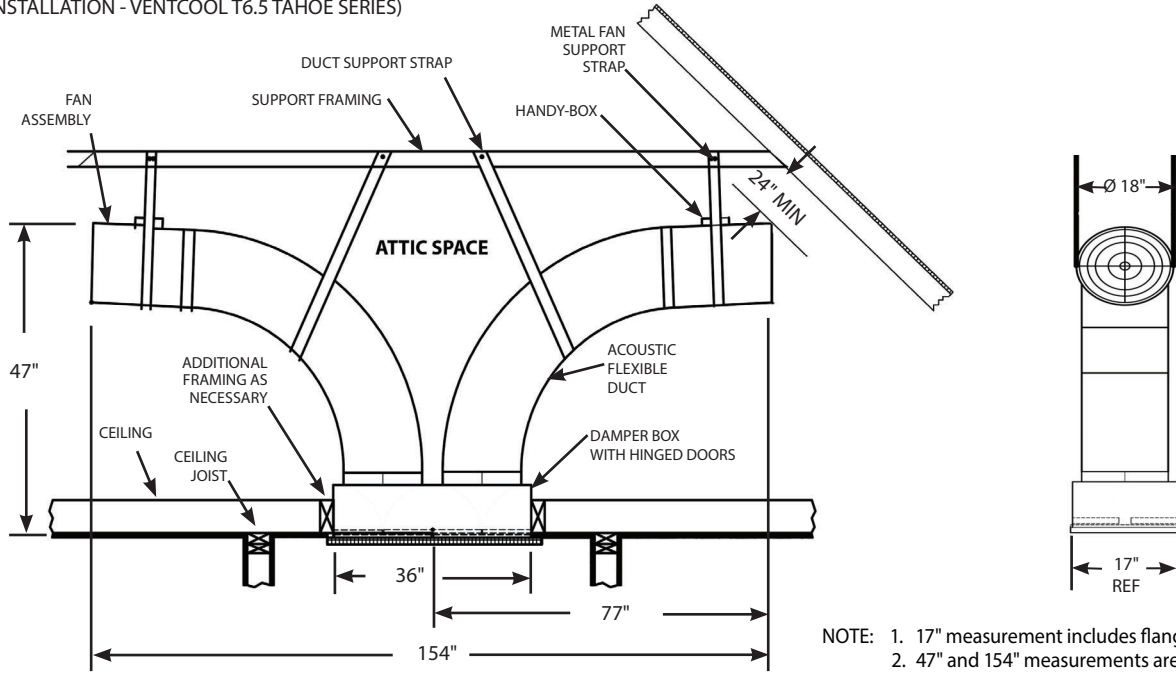
Visit us at: www.fieldcontrols.com

Field Controls LLC reserves the right to modify a product, without prior notice, whether in design, color or specifications, in order to offer at all times a quality product that is highly competitive. Please consult your national and local building codes to find out whether the installation of electrical products requires the services of a certified technician or electrician. Field Controls and VentCool™ are registered Trademarks used under license by Field Controls LLC. All rights reserved.

ENGINEERING DATA VENTCOOL TAHOE SERIES

DIMENSIONAL DATA

(TYPICAL INSTALLATION - VENTCOOL T6.5 TAHOE SERIES)



NOTE: 1. 17" measurement includes flanged dimensions
 2. 47" and 154" measurements are dependent on bend radius.
 Duct supplied is 7 feet in length.

Diagram A:
T6.5 HARDWIRED
FOR 4
SPEED SWITCH
FOR QUAD SPEED
OPERATION

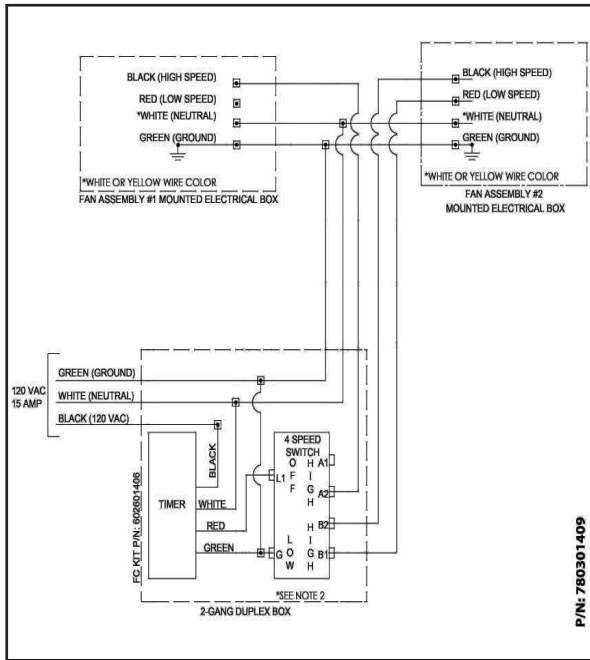
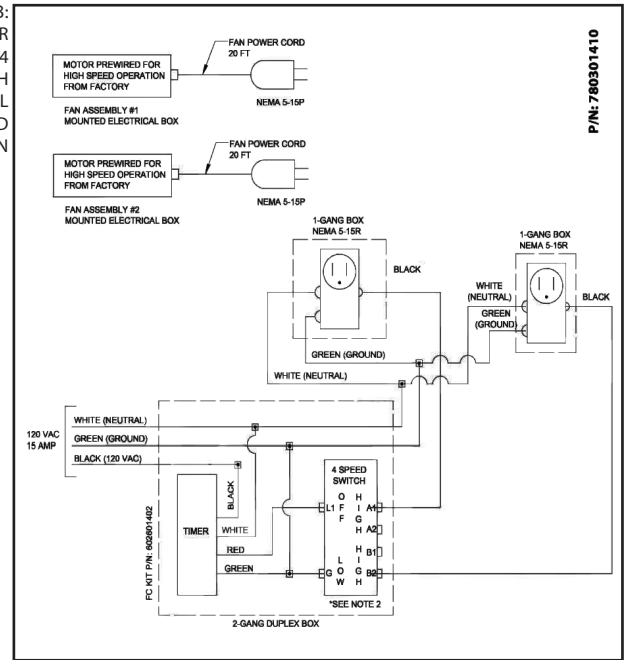


Diagram B:
T6.5 POWER
CORD WITH 4
SPEED SWITCH
FOR DUAL
SPEED
OPERATION



PROJECT INFORMATION

Quoted by:	Date:
Project:	Remarks:
Quantity:	
Model:	
Site:	
Architect:	
Engineer:	
Contractor:	



Field Controls
2630 Airport Road
Kinston, NC 28504

Field Controls
9154 Stellar Court
Corona, CA 92883

252 522-3031
Fax: 1 (800) 367-7942

951-277-0304

Visit us at: www.fieldcontrols.com