

ENGINEERING DATA - SUBMITTAL



SUMMIT™ S-Class
Series

VentCool™ Summit S-Class S 6.5 Model



MODEL **PART NUMBER**

VentCool S6.5 602603165

ITEMS INCLUDED

- Two Fan Assemblies with fan control module (FC3JF) prewired
- Two 7 feet of acoustically insulated flexduct
- Gravity damper assembly
- NEW Digital Wall Timer Temperature & Speed Control with 50ft RJ12 Cable
- Duct Adapter Assembly (as required)
- White cube core inlet grille with fasteners
- Instruction manual
- Installation hardware

ELECTRICAL REQUIREMENTS

VentCool Models	Dedicated Circuit (Amps)	Voltage	Watts	Motor HP
S6.5	15	115 VAC	426	1/3 (2X)

OPTIONAL ACCESSORIES

- Additional RJ12 50ft Cable 580011550
- Connector, F2F RJ12 Straight 580011503
- Remote Control Kit 580011704



Field Controls
2630 Airport Road
Kinston, NC 28504

Field Controls
9154 Stellar Court
Corona, CA 92883

252 522-3031
Fax: 1 (800) 367-7942

951-277-0304

Visit us at: www.fieldcontrols.com

DESCRIPTION

VentCool Whole House Fans are mechanical ventilation cooling systems. The occupant-controlled system allows for low temperature outdoor air to be introduced in a home or building through open windows. The indoor air is circulated to cool the living space and exhausted into the attic where it is then vented to the outdoors. Outdoor air will warm relative to the indoor temperature and the low energy ventilation cooling fan is disengaged and windows closed.

FEATURES

- CA Title 24 Listed
- Reduce or eliminate need for compressor-based cooling
- Galvanized Steel fan housing Speed Control
- (2) 7 feet of Acoustical Silencer Insulated Flex Duct
- AirLoc™ R-5 Gravity Damper
- 20 ft Power Cord with NEMA 5-15 Plug
- Electronically Commutated Motor (ECM)
- Digital Wall Mount 3-Speed Control
- Controlled by Timer or Temperature
- 120VAC, 15 Amp Power, dedicated circuit
- Plaster guard (PG)

PRODUCT OFFERING

Summit Series S-Class with AirLoc™ Gravity Damper

Model	Fan Airflow (GROSS) CFM	HVI-916 std. CA Title 24 (NET) CFM	Watts	Efficacy CFM per Watts	Efficiency Watts per CFM	Sound Level (dBA) @ 5 Ft	Speed Control Timer	Acoustical Silencer Duct	Rough Opening (inches)	Grille Dimensional (Inches)	Damper Blade R-Value	Attic Venting* (Sq. Ft.)	Open Window* (Sq. Ft.)
	Sizing 2cfm/sqft	Sizing 1.5cfm/sqft											
VentCool-S6.5	6056	5,506	425.7	12.93	.07	60	3 spd/12 hr	Two 16 in x 7 ft	14.25x36.25	16x38	R-5	11.01	22.02

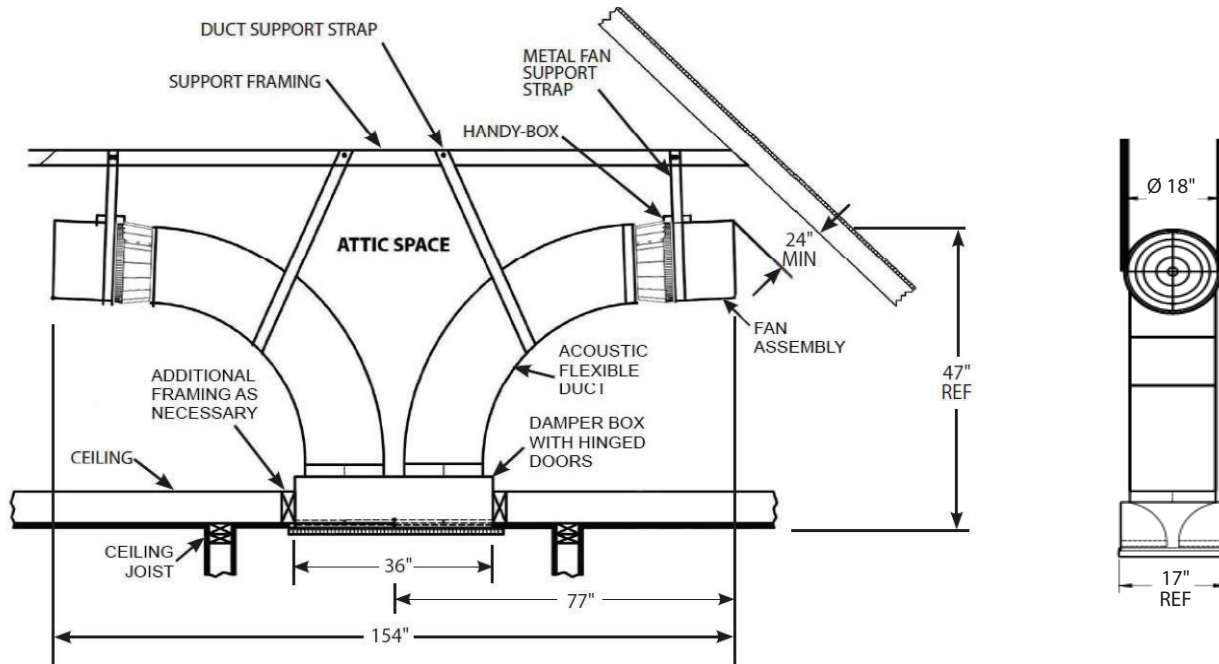
Static Pressure ("WC)	Ventcool Summit S6.5					
	Air Flow (CFM)			Motor Power (Watts)		
	High Speed	Med Speed	Low Speed	High Speed	Med Speed	Low Speed
-0.001	5506	4633	2838	426	306	209
0.00	5499	4623	2828	426	306	210
0.02	5342	4422	2627	430	309	214
0.04	5180	4216	2431	435	312	221
0.06	5012	4007	2242	439	315	229
0.08	4838	3800	2066	444	320	238
0.10	4660	3594	1905	449	327	248
0.12	4478	3394	1766	455	335	259
0.14	4292	3200	1651	461	345	269

Field Controls LLC reserves the right to modify a product, without prior notice, whether in design, color or specifications, in order to offer at all times a quality product that is highly competitive. Please consult your national and local building codes to find out whether the installation of electrical products requires the services of a certified technician or electrician. Field Controls and VentCool™ are registered Trademarks used under license by Field Controls LLC. All rights reserved.

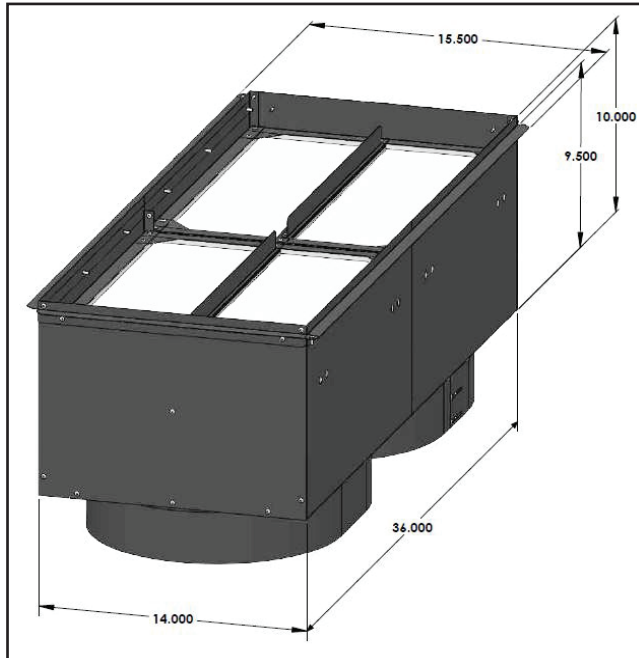
ENGINEERING DATA - SUBMITTAL

DIMENSIONAL DATA

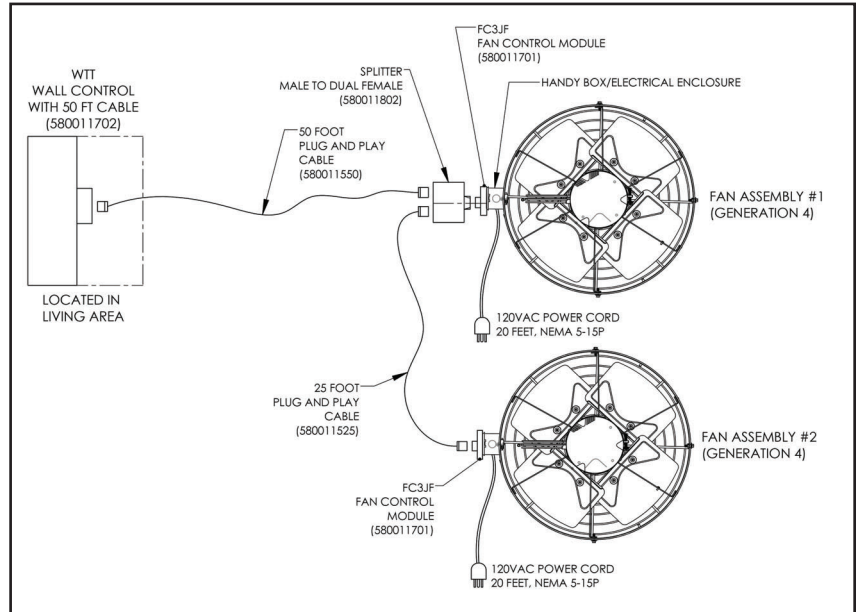
(TYPICAL INSTALLATION - VENTCOOL 6.5 SUMMIT SERIES)



DAMPER DIMENSIONAL DATA



WIRING



WIRING DIAGRAM:
INTERCONNECTION CABLE CONTROL DIAGRAM FOR SUMMIT S6.5 MODEL

PROJECT INFORMATION

Quoted by:	Date:
Project:	Remarks:
Quantity:	
Model:	
Site:	
Architect:	
Engineer:	
Contractor:	



FIELD CONTROLS
Improving Indoor Environments

Field Controls
2630 Airport Road
Kinston, NC 28504
252 522-3031
Fax: 1 (800) 367-7942

Field Controls
9154 Stellar Court
Corona, CA 92883
951-277-0304

Visit us at: www.fieldcontrols.com