

ENGINEERING DATA

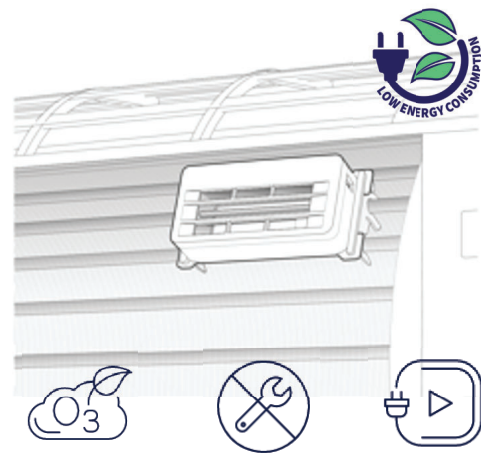


Model: TADIRAN AIROW3™



TECHNOLOGY AND BENEFITS

- Eliminates up to 99% of bacteria, viruses & mold [1][2], Patented method of use
- Tested and approved by FDA-cleared testing lab
- Best-in-class air purification technology, treats the air with a proactive approach
- ZERO maintenance, NO upkeep
- Lasting effect, even when AC is off
- Easy to install in high walls and PTACs,
- Applicable anywhere: residential, schools, new construction, hospitality, senior living, and more



Introducing the TADIRAN AIROW 3™ a unique Hydrogen Peroxide air cleaner that reduces airborne pathogens, eliminating certain known aerosolized pathogens including SARS-CoV-25, viruses, bacteria and mold*. It has no ion emission, requires no maintenance, is a quick install, and consumes very little energy. Designed to fit fan coils, Ceiling Cassettes, PTACs, ductless mini splits and VRF ductless split systems.

SCIENCE AND TESTING

Bioaerosol Type	Species/Protocol	Testing Lab	Results	Labs & Marks
COVID Virus	SARS-COV 2	Innovative Bioanalysis Labs. USA	99.93%	Chamber size: 16m ³ , after 60 min
Virus	RNA Virus MS2 Bacteriophage	Aerosol Research and Engineering Laboratories USA	99.994%	Chamber size: 1 m ³ , after 60 mi
Bacteria	Staphylococcus Epidermis vegetative (+)	Aerosol Research and Engineering Laboratories USA	99.994%	
Bacteria	Streptococcus Pyogenes (Group A Strep)	Innovative Bioanalysis Labs, USA	100%	Chamber size: 36m ³ , after 120 min
Mold	Blue Mold (Penicillium Citrinum) Aerosolized	Kitasato Research Center for Environmental Science, JAPAN	99.4%	Chamber size: 25m ³ , after only 3 hours
Ozone Emission	Ozone free certified	INTERTEK	<5 ppb-tested	



Field Controls
2630 Airport Road
Kinston, NC 28504
252 522-3031
Fax: 1 (800) 367-7942
Visit us at: www.fieldcontrols.com

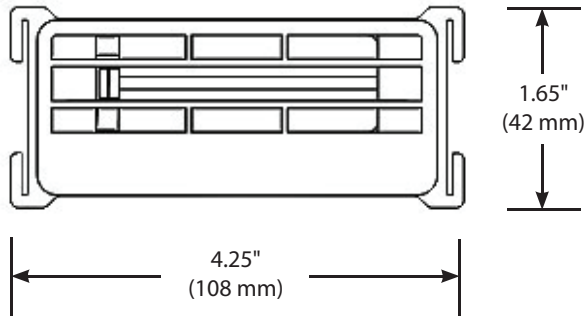


Field Controls LLC reserves the right to modify a product, without prior notice, whether in design, color or specifications, in order to offer at all times a quality product that is highly competitive. Please consult your national and local building codes to find out whether the installation of electrical products requires the services of a certified technician or electrician. Field Controls is a registered Trademark used under license by Field Controls LLC. All rights reserved.

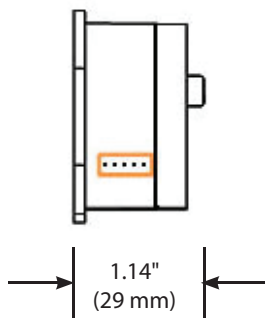
ENGINEERING DATA

KEY FEATURES

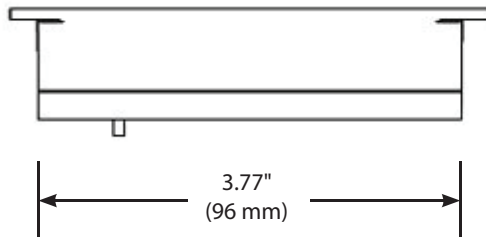
FRONT VIEW



SIDE VIEW



TOP VIEW



Parameters	Value
Weight	0.22lbs (100g)
Dimensions	3.77 x 1.14 x 1.65" (96 x 42 x 26 mm)
Housing Material	ABS Plastic, White Color
Operation Temperature	23 F to 131 F -5°C to +55°C
Operation Humidity (Non-Condensing)	20% - 80%
Input Voltage	12 VDC ± 10%
Input Voltage for Power Supply	100-240 VAC, 50/60 HZ
Power Consumption	1W Max
Air Velocity	Min 1 m/Sec
Air Flow Capacity	Up to 1600 CFM
Indication LED	Green/Red Indication for Proper Operation
Maintenance	Zero Maintenance
Ozone Emission	<=5 ppb
Hydrogen Peroxide Level	<=15 ppb
Warranty	3 Year Product Warranty

* Independent tests showed that TADIRAN AIROW 3™ technology eliminated more than 99.93% of tested aerosolized pathogens under optimal testing conditions, including viruses known as SARS-CoV-2 and bacteria.

TADIRAN AIROW 3 reduced detected SARS-COV-2 aerosol levels by 99.93% within 1 hour (16 cubic meter test chamber) and detected Bacteria Staphylococcus epidermidis aerosol levels by 99.994% within 1 hour (1 cubic meter test chamber). Aerosol of Blue Mold was reduced with TADIRAN AIROW 3 by 99.4% within 3 hours in a 25 m3 chamber. Only qualified and licensed HVAC technicians may install this device. TADIRAN AIROW 3, tested by TUV and Intertek, does not emit more than 0.005PPM.



Field Controls
2630 Airport Road
Kinston, NC 28504
252 522-3031
Fax: 1 (800) 367-7942



Visit us at: www.fieldcontrols.com

PROJECT INFORMATION

Quoted by:	Date:
Project:	Remarks:
Quantity:	
Model:	
Site:	
Architect:	
Engineer:	
Contractor:	