

# ERV WALL CONTROL

Model: FC-HERV-2 (P/N: 602613250)



**READ THESE INSTRUCTIONS CAREFULLY AND COMPLETELY BEFORE PROCEEDING WITH THE INSTALLATION**

This device **MUST** be installed by a qualified agency in accordance with the manufacturer's installation instructions. The definition of a qualified agency is: any individual, firm, corporation or company which either in person or through a representative is engaged in, and is responsible for, the installation and operation of HVAC appliances, who is experienced in such work, familiar with all the precautions required, and has complied with all the requirements of the authority having jurisdiction. Please retain these instructions after installation.

# **IMPORTANT - PLEASE READ AND SAVE MANUAL BEFORE INSTALLATION**

**!** **WARNING:** Identifies an instruction which, if not followed, might cause serious personal injuries including possible death.

**!** **CAUTION:** Identifies an instruction which, if not followed, may severely damage the unit and/or its components.

**NOTICE:** Turn off all integral disconnects before servicing.

**LIMITATIONS:** This is for residential (domestic) installation only. Installation work and electrical wiring must be done by a qualified person(s) in accordance with all applicable codes and standards, including fire-rated construction codes and standards.

## **!** **WARNING**

1. Electrical wiring must be done by a qualified professional in accordance with all applicable codes and standards.
2. Before connecting wires, unplug the unit or switch off the power at the service panel and lock service disconnecting to prevent power from being switched on accidentally.
3. Always wear safety glasses and gloves while performing these instructions.

## **!** **CAUTION**

1. Never install more than one main wall control per ventilation unit.
2. Keep control low-voltage wiring at least one foot (305 mm) away from motors, lighting ballast, light dimming circuit, and power distribution panel.
3. Do not route control wiring alongside housing power wiring.
4. Ensure the wiring is securely connected.
5. Use normal copper wire or low-voltage wire to connect the unit with the controller, a maximum length of 98ft. (30m), or use a shielded wire of 33ft. (10m ideal).

# INSTALLATION

1. Unplug the ventilation unit.
2. Identify a convenient location for the wall control installation.
3. Cut a 2 7/8" by 1 3/4" hole in the wall. See Figure 1.
4. Route the cable (type 22/4) for the control from the unit to this hole.
5. Temporarily place the control over the hole and mark mounting screw hole locations. Figure 2.
6. Remove the control. Drill both mounting holes (3/16" dia.) in the wall and insert the wall anchors (included).
7. Strip the end of each wire (~1/4").
8. Connect the wires to the terminals regardless of the wiring color.

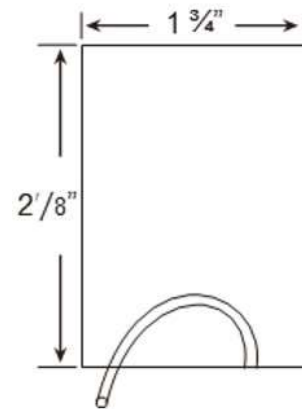


FIGURE 1: INSTALL HOLE

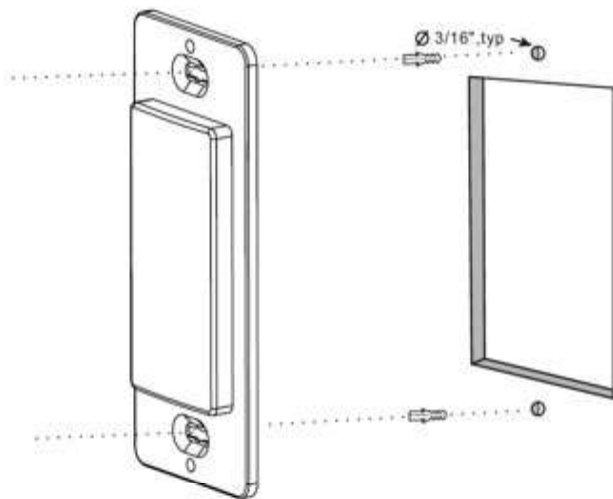


FIGURE 2: MOUNTING HOLES

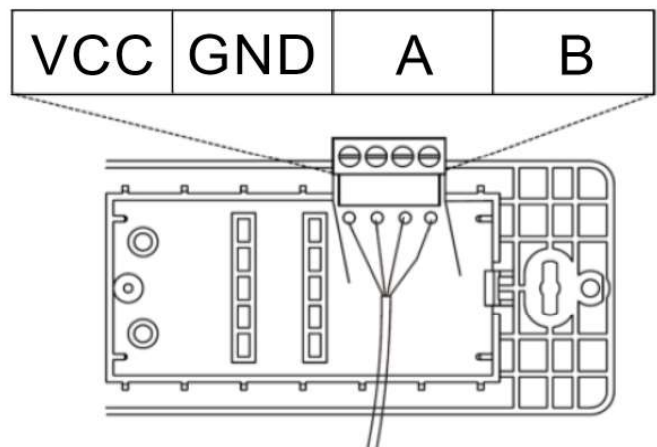


FIGURE 3: WIRING CONTROL

9. Note which wire color has been chosen for each terminal. See Figure 3.
10. Mount control to the wall. Figure 4.
11. Connect the wall control wires to the corresponding connections on the ventilator unit. See Figure 5.
12. Provide power to the ventilator and test the wall control.

**⚠ WARNING: Please ensure wiring is correct before connecting unit to power.**

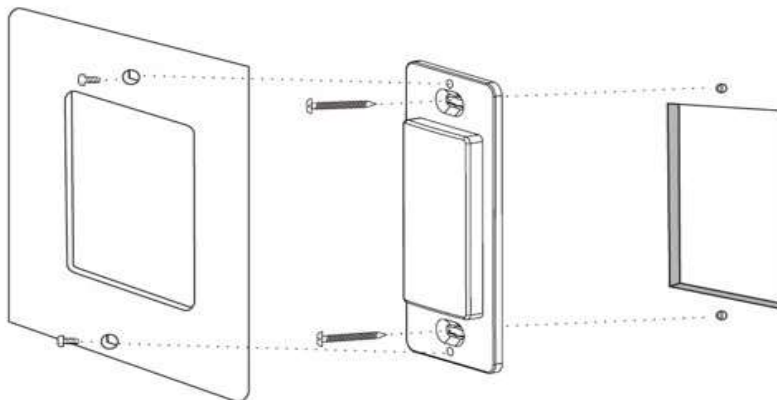


FIGURE 4: MOUNTING CONTROL

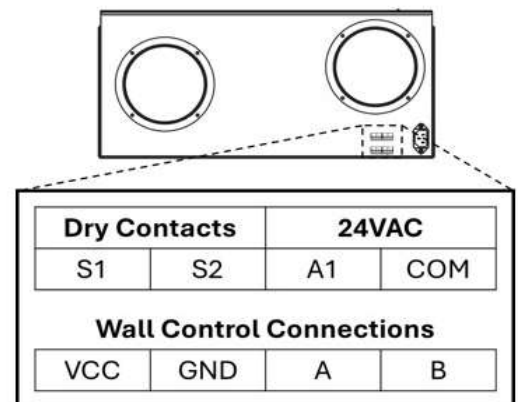


FIGURE 5:  
VENTILATOR WIRING  
CONNECTIONS

# OPERATION

## 1. ON/OFF - Press button to cycle through ACTIVE, STANDBY, OFF

1. ACTIVE – Press once to turn the wall Control ON and ACTIVE. The ON/OFF light and “L” light are ON.

*NOTE: When wall control is ON and ACTIVE, the ventilator will not respond to HVAC system inputs.*




2. STANDBY – Press again to put the wall control in Standby mode. The ventilator will remain ON, return to the operating mode set on the unit, and respond to HVAC system input. The ON/OFF light is ON.

3. OFF - Press and Hold (5 sec.) to power down the ventilator. All lights are OFF

## 2. DEFROST

Defrost light ON indicates the unit is in Defrost mode. See the user manual for more information.

## 3. FILTER INDICATOR

The RED light indicates the filters need to be cleaned or replaced after 3 months of operations. Press and hold    for 5 seconds to reset filter replacement indicator.

## 4. TIMER

Press the Timer button to cycle through different run times: 20/30/40/50/60min

When the timer is completed, wall control will return to Standby, and the ventilator will be open to receive input from the HVAC system.

*NOTE: TIMER MODE WILL ALWAYS RUN ON HIGH SPEED.*

## 5. FAN SPEED MODES

Press the fan button to cycle through different fan speeds. The ventilator will run at this setting until this mode is changed. The ventilator will not respond to HVAC system input in this mode. See chart below.



H	M	L	Intermittent
Speed-3	Speed-2	Speed-1	Speed-3 for 20min, OFF for 40min.

**This manual may be downloaded and printed from the Field Controls website:  
[www.fieldcontrols.com](http://www.fieldcontrols.com)**

**WARRANTY**

**For warranty information about this or any Field Controls product, visit:  
[www.fieldcontrols.com](http://www.fieldcontrols.com)**

**Field Controls Customer Service  
252.522.3031**



**FIELDCONTROLS**

**AIR TREATMENT COMBUSTION VENTILATION PORTABLES**

Phone: 252.522.3031 | Fax: 252.522.0214 | [fieldcontrols.com](http://fieldcontrols.com)