



Model: FC-HERV-C2

ERV Wall Control

Part Number: 602613250



WORKS WITH

FC-150EC-ERV 602613115

SHIPPING INFORMATION

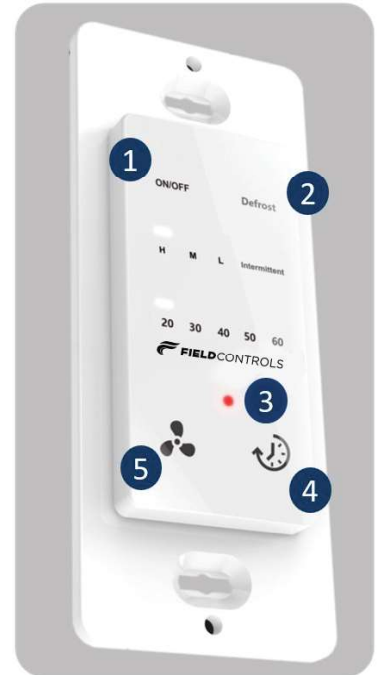
SIZE 5" x 3.5" x 1.75"
WEIGHT 1/2 LB.

WARRANTY

1 YEAR WARRANTY

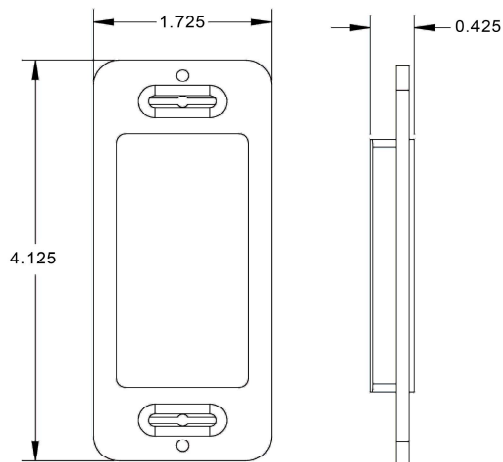
OPERATION

1. ON/OFF – CYCLE THROUGH ACTIVE/STANDBY/OFF
 - ACTIVE – Wall Control is On and Active, ERV is running
 - STANDBY – Wall Control is in standby, ERV will respond to HVAC system input
 - OFF – PRESS & HOLD 5 SEC TO TURN UNIT OFF
2. DEFROST – Light indicates ERV is in defrost mode.
3. FILTER INDICATOR – Red light indicates filter needs to be cleaned/replaced. Turns on after 3 months of operation. Press and hold to reset.
4. TIMER – Cycle through 20/30/40/50/60 min timers. Unit runs at high speed in timer mode. After time it returns to Standby Mode.
5. FAN SPEED MODES – Cycle through fan speeds shown in table below.



| H | M | L | Intermittent |
|---------|---------|---------|---|
| Speed-3 | Speed-2 | Speed-1 | Speed-3 for 20 minutes, OFF for 40 min. |

PHYSICAL DIMENSIONS



FieldControls reserves the right to change specifications without notice.

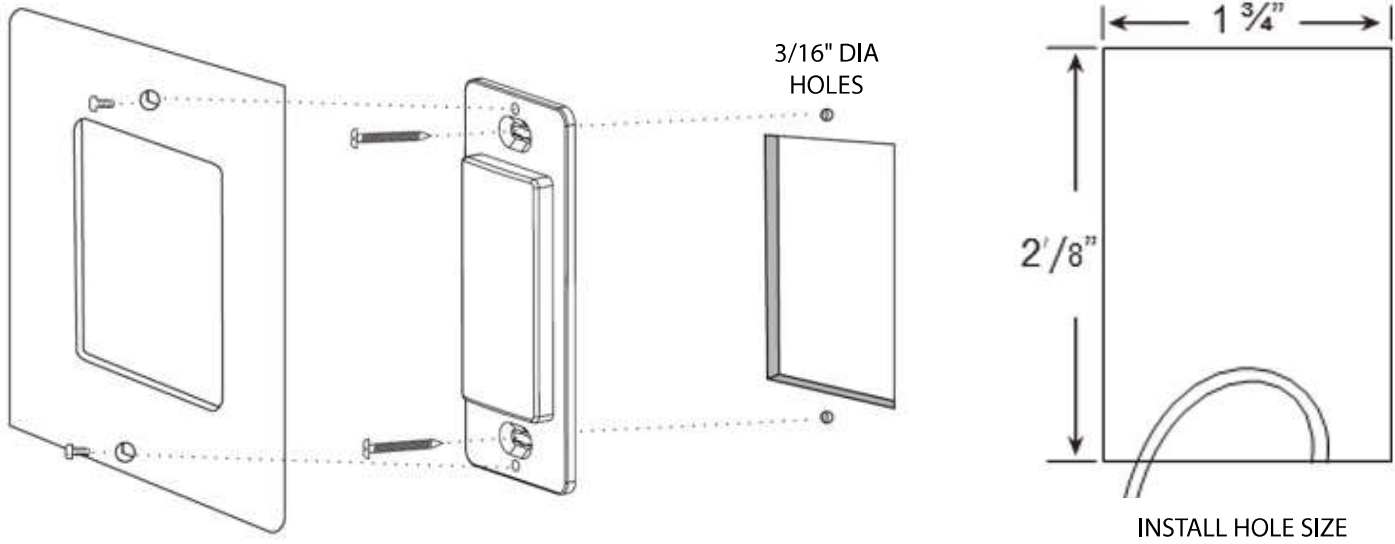


Field Controls
2630 Airport Road
Kinston, NC 28504
252 522-3031
Fax: 1 (800) 367-7942
Visit us at: www.fieldcontrols.com

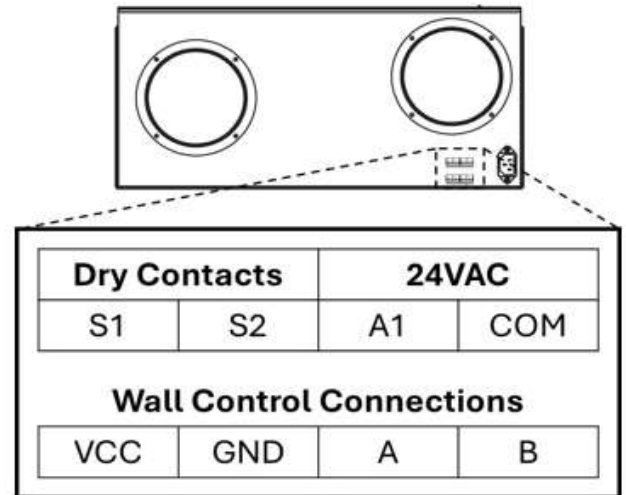
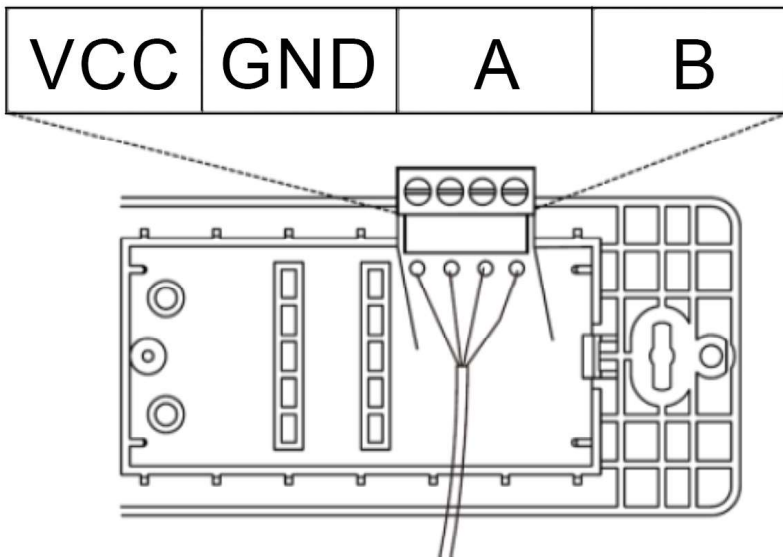


ENGINEERING DATA

MOUNTING



ELECTRICAL CONNECTIONS



PROJECT INFORMATION

| | |
|-------------|----------|
| Quoted by: | Date: |
| Project: | Remarks: |
| Quantity: | |
| Model: | |
| Site: | |
| Architect: | |
| Engineer: | |
| Contractor: | |



Field Controls
 2630 Airport Road
 Kinston, NC 28504
 252 522-3031
 Fax: 1 (800) 367-7942
 Visit us at: www.fieldcontrols.com



FieldControlsreservestherighttochangespecificationswithoutnotice.